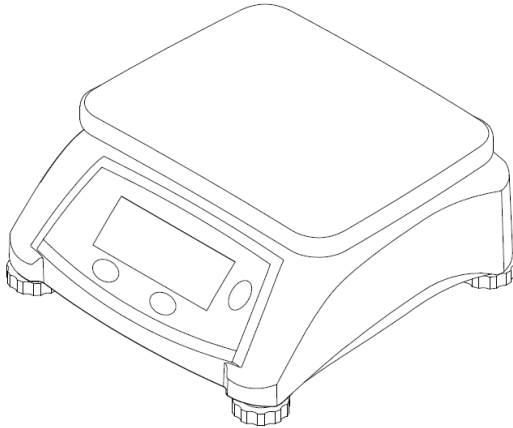




# Valor™ 1000 Series Instruction Manual





## Table of Contents

1. INTRODUCTION .....	2
1.1 Safety Information.....	2
1.2 Intended Use .....	3
1.2 Controls .....	4
1.3 Display.....	4
2. INSTALLATION .....	5
2.1 Location .....	5
2.2 Power .....	5
2.3 Rechargeable Battery Power .....	5
2.4 Initial Calibration .....	6
3. OPERATION.....	6
3.1 Turning Scale On/Off .....	6
3.2 Weighing.....	6
4. SETTINGS.....	7
4.1 Calibration Menu.....	7
4.2 Setup Menu .....	8
5. LEGAL FOR TRADE.....	10
5.1 Settings.....	10
5.2 Verification.....	10
5.3 Sealing.....	10
6. MAINTENANCE.....	12
6.1 Cleaning .....	12
6.2 Troubleshooting.....	12
6.3 Service Information.....	13
7. TECHNICAL DATA.....	13
7.1 Specifications.....	14
7.2 Compliance.....	17

# 1. INTRODUCTION

This manual contains installation, operation and maintenance instructions for the Ohaus Valor™ 1000 Series Scales. Please read the manual completely before using the scale.

## 1.1 Safety Information

### Definition of Signal Warnings and Symbols

Safety notes are marked with signal words and warning symbols. These show safety issues and warnings. Ignoring the safety notes may lead to personal injury, damage to the instrument, malfunctions and false results.

WARNING	For a hazardous situation with medium risk, possibly resulting in severe injuries or death if not avoided.
CAUTION	For a hazardous situation with low risk, resulting in damage to the device or the property or in loss of data, or minor or medium injuries if not avoided.
ATTENTION	For important information about the product. May lead to equipment damage if not avoided.
NOTE	For useful information about the product.

### Warning Symbols



General hazard



Explosion hazard



Electrical shock hazard

### Safety Precautions



**CAUTION:** Read all safety warnings before installing, making connections, or servicing this equipment. Failure to comply with these warnings could result in personal injury and/or property damage. Retain all instructions for future reference.

- Before connecting power, verify that the AC adapter's input voltage range and plug type are  $\text{\textcircled{D}}$  compatible with the local AC mains power supply.
- Do not position the equipment such that it is difficult to reach the power connection.
- Make sure that the power cord does not pose a potential obstacle or tripping hazard.
- Operate the equipment only under ambient conditions specified in these instructions.
- The equipment is for indoor use only.
- Do not operate the equipment in wet, hazardous or unstable environments.
- Do not allow liquids to enter the equipment.

- Do not load the equipment above it's rated capacity.
- Do not drop loads on the platform.
- Do not place the equipment upside down on the platform.
- Use only approved accessories and peripherals.
- Disconnect the equipment from the power supply when cleaning.
- Service should only be performed by authorized personnel.



**WARNING:** Never work in an environment subject to explosion hazards! The housing of the instrument is not gas tight. (Explosion hazard due to spark formation, corrosion caused by the ingress of gases).



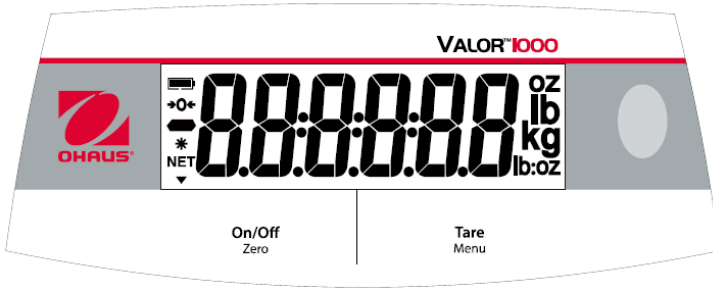
**CAUTION:** Battery is to be replaced only by an authorized Ohaus service dealer. Risk of explosion can occur if the rechargeable battery is replaced with the wrong type or if it is not properly connected. Dispose of the rechargeable battery according to local laws and regulations.

## 1.2 Intended Use

This instrument is intended for use in businesses and light industry. It shall only be used for measuring the parameters described in these operating instructions. Any other type of use and operation beyond the limits of technical specifications, without written consent from OHAUS, is considered as not intended. This instrument complies with current industry standards and the recognized safety regulations; however, it can constitute a hazard in use.

If the instrument is not used according to these operating instructions, the intended protection provided by the instrument may be impaired.

### 1.3 Controls



Button	Functions
<div style="border: 1px solid black; padding: 5px; text-align: center;"> <b>On/Off</b> Zero                 </div>	Press (when off): Turns the scale on Short Press (when on): Sets display to zero Long Press (when on): Turns the scale off Press (in Menu): Confirm (Enter)
<div style="border: 1px solid black; padding: 5px; text-align: center;"> <b>Tare</b> Menu                 </div>	Short Press: Enters / clears a Tare value Long Press: Enters User Menu Press (in Menu): Changes menu selections (Forward)

**Notes:**

Short Press: Press less than 3 seconds.

Long Press: Press and hold for more than 3 seconds.

### 1.4 Display

- 1 ———
- 2 ———
- 3 ———
- 4 ———
- 5 ———



Item	Description
1	Battery charge symbol
2	Center of Zero symbol
3	Negative symbol
4	Stable weight symbol
5	NET symbol

## 2. INSTALLATION

### 2.1 Location

Use the scale on a firm, steady surface. Avoid locations with excessive air current, vibrations, heat sources, or rapid temperature changes. Adjust the leveling feet so the bubble is centered in the circle.

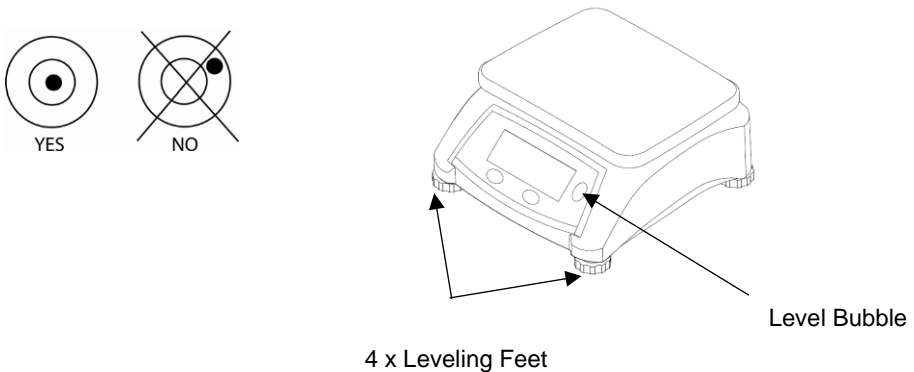


Figure 2-1. Leveling the Scale.

### 2.2 Power

Connect the AC Adaptor to the AC mains supply. Connect the plug to the DC jack on the bottom of the scale. The scale may be operated on the AC Adapter connected to mains supply or 4 alkaline batteries.

**Note:** The AC adapter maybe optional or included with the scale, depending on the region.

### 2.3 Rechargeable Battery Power

Allow the battery to charge for 12 hours before using the scale on battery power. The instrument can be operated during charging, and the battery is protected against overcharging. For maximum operating time, the battery should be charged at room temperature.

**Note:** Availability is depending on region as accessory.

**WARNING:** Only charge the battery when the ambient temperature is between 0 and 140 °F / 0 and 40 °C.

## 2.4 Initial Calibration

When the scale is operated for the first time, a Span calibration is recommended to ensure accurate weighing results. Before performing the calibration, be sure to have the appropriate calibration weight. You can also Contact an OHAUS servicing-scale dealer for more information.

Refer to section 4.1 for Span calibration procedures.

Required Span Calibration Mass (sold separately)	
Max	Mass
2000 g; 3000 g	2 kg / 6 lb
5000 g; 6000 g	5 kg / 15 lb
10000 g; 15000 g	10 kg / 30 lb
20000 g; 30000 g	20 kg / 60 lb

## 3. OPERATION

### 3.1 Turning Scale On/Off

Press **On/Off** to turn the scale on. The scale will find and set the zero weight point automatically after it displays the software version.

In weighing mode, short press **On/Off** for more than 3 seconds to turn the scale off.

### 3.2 Weighing

Once the scale has a stable zero weight and the tare weight of any packaging or container has been captured, place the product being weighed on the platform -- the display will show the weight of the product in the selected unit of measure.



## 4. SETTINGS

The scale allows the user to customize several settings including calibration, backlight operation, unit change and auto shut-off. Long press **Menu** for more than 3 seconds until you see  $\Sigma.R.L.$ . Release the **Menu** key after you enter the user menu.

### 4.1 Calibration Menu

Enter this menu to perform calibrations.

Once the scale displays  $\Sigma.R.L.$ , press **On/Off** to enter the Calibration Menu and perform either a Span or Linearity calibration.

For legal-for-trade use, this may have to be done in accordance with local weights and measures requirements. Contact your local servicing scale dealer for more information.

Press **Tare** to exit Calibration and to move on to the Setup Menu.

**Note:** Calibration is not permitted in some regions or when the scale is in Approved mode.

#### SPAN [ $\Sigma P A N$ ]

Initiates a span calibration procedure using a span calibration weight equal to the full capacity of the scale. Press **On/Off** to enter the SPAN calibration routine, or press **Tare** to proceed to a Lin calibration.

When 0.000kg is shown, short press **On/Off** to capture the zero weight if the platform is empty.

When the full capacity of the scale is shown, place a weight equal to the capacity of the scale and short press **On/Off**.

If the scale displays " $\Sigma R L - E$ ", one of the weights used to calibrate is wrong and the scale did not complete calibration.

To exit calibration at any point, short press **Tare/Menu**.

#### Lin [ $L i n$ ]

Initiates a linearity calibration procedure (zero, mid-point and span).

When performing a linearity calibration, the scale will prompt you for a zero weight - the platform without anything on it and weight display at zero -- a Midpoint weight equal to 50% of the Span weight, and a Span weight equal to the full capacity of the scale.

When 0.000kg is shown, short press **On/Off** to capture the zero weight if the platform is empty.

When the half capacity of the scale is shown, place a weight equal to 50% of the scale's capacity on the pan and short press **On/Off**.

When the full capacity of the scale is shown, place a weight equal to the capacity of the scale and short press **On/Off**.

If the scale displays " $\Sigma R L - E$ ", one of the weights used to calibrate is wrong and the scale did not complete calibration.

To exit calibration at any point, short press **Tare/Menu**.

**End [E n d]**

Press **On/Off** to advance to the Setup Menu, or press **Tare** to return to Span calibration.

**Note:** To exit a calibration at any time, press and hold the **On/Off** key until the scale shuts off.

**4.2 Setup Menu**

Enter this menu to set balance parameters.

Light:	Off, On, <b>Auto</b>
Unit:	<b>kg</b> , g, lb, oz, lb:oz
Auto shut-off:	<b>A00</b> , A01, A05, A10, Off
End	Exit menu

**Note:** Units vary for different regions or models.

**Light [L. i. g. h. t]**

This sets the operation of the display's backlight.

ON = always on

OFF = always off

**AUTO** = Turns on when a button is pressed or the displayed weight changes.

Alternatively, turns off the backlight when the displayed weight does not change for more than 10 seconds.

**Unit [U. n. i. t]**

The Valor 1000 allows one weighing unit to be used at a time. Units can be changed in this menu setting and will appear when you exit the menu.

Press **On/Off** to enter the Unit submenu. You will see "kg" displayed for kilograms. Press **On/Off** to accept kilograms as the weighing unit and exit the Unit submenu, or press **Tare** to move to the next unit.

**Auto Shut-off Menu [R. - o. f. f]**

Set the automatic shut off time for the scale.

**A00** = powers off after 5 minutes of no activity with battery powered only; disabled with AC adapter powered

A01 = powers off after 1 minute of no activity

A05 = powers off after 5 minutes of no activity

A10 = powers off after 10 minutes of no activity

Off = disabled

**Beeper Key [b.P.F.EY]**

ON = turns on the beeper sound when you press any key.

OFF = turns off the beeper sound when you press any key.

**End Setup [E.n.d]**

Press the **Tare/Menu** key to return to the **C.A.L** menu, or press the **On/Off** key to exit to normal operation.

## 5. LEGAL FOR TRADE

When the scale is used in trade or a legally controlled application, it must be set up, verified and sealed in accordance with local weights and measures regulations. It is the responsibility of the purchaser to ensure that all pertinent legal requirements are met. As the requirements vary by jurisdiction, the purchaser is advised to contact their local weights and measures office for instructions about putting the balance into service.

### 5.1 Settings

Before verification and sealing, perform the following steps:

1. Confirm that the selected unit of measure is permitted by the local weights and measures regulations.
2. Perform a calibration as explained in Section 4.1.
3. Set the position of the security switch as shown in Section 5.3.

### 5.2 Verification

A weights and measures official must perform the verification procedure. Contact the local weights and measures office for more information.

### 5.3 Sealing

A LFT switch under the sealing cover is used to secure the menu settings. When the switch is pressed, the menu settings may be viewed but not changed. This sealing cover is located at the bottom of the scale. Remove the sealing cover with a screwdriver and then press the switch when the scale is powered on. After that you will see "L F t .00" is displayed on the screen.



LFT switch cover



LFT switch

After the scale has been verified, it must be sealed by the weights and measures official to prevent undetected access to the legally controlled settings. Refer to the illustrations below for the sealing.



Sealing

## 6. MAINTENANCE

### 6.1 Cleaning



**WARNING:** Electric Shock Hazard. Disconnect the equipment from the power supply before cleaning.  
Make sure that no liquid enters the interior of the instrument.



**Attention:** Do not use solvents, harsh chemicals, ammonia or abrasive cleaning agents.

The housing may be cleaned with a cloth dampened with a mild detergent if necessary.

### 6.2 Troubleshooting

The following table lists common problems and possible causes and remedies. If the problem persists, contact OHAUS or your authorized dealer.

TABLE 5-1. TROUBLESHOOTING.

Symptom	Possible Cause	Possible Solution
Err E	Calibration error: unstable environment or incorrect calibration weight	Check environment and calibration weights, and then re-calibrate.
Err 8.1	The Power On weight on the platform exceeds the zero range.	Clear pan.
Err 8.2	The Power On weight on the platform is below the zero range.	Check if pan is missing.
Err 8.3	Over load (weight exceeds rated capacity)	Remove weight from pan.
Err 8.4	Under load (pan removed)	Re-install pan.
Err 8.5	Tare weight out of range	Tare value exceeds maximum.
Err 9.5	Internal data error or calibration data error	Contact OHAUS or your authorized dealer for help.
Err 13	Failure to write to EEPROM	Contact OHAUS or your authorized dealer for help.
Lo.bAt	Battery very low	Replace batteries; Charge rechargeable battery.
--nD--	Action not allowed	/
-----	Busy	/

## 6.3 Service Information

If the troubleshooting section does not resolve or describe your problem, contact your authorized OHAUS service agent. For service assistance or technical support in the United States call toll-free 1-800-672-7722 ext. 7852 between 8:00 AM and 5:00 PM EST. An OHAUS product service specialist will be available to provide assistance Monday through Friday. Outside the United States, Canada and Puerto Rico, please visit our web site, [www.ohaus.com](http://www.ohaus.com) to locate the OHAUS office nearest you.

## 7. TECHNICAL DATA

Equipment Ratings:

Indoor use only

Altitude: 2000m

Operating temperature: 0 to 40°C

Humidity: Maximum relative humidity 80% for temperatures up to 31 °C decreasing linearly to 50% relative humidity at 40°C.

Electrical supply: 12VDC, 0.5A. For use with certified or approved power supply, which must have a SELV and limited energy circuit output.

Voltage fluctuations: Mains supply voltage fluctuations up to  $\pm 10\%$  of the nominal voltage.

Overvoltage category (Installation category): II

Pollution degree: 2

## 7.1 Specifications

TABLE 7-1. Specifications

Model*	V12P3	V12P6	V12P15	V12P30
Capacity x Readability (Max x d non- approved)	6 lb x 0.001 lb 3 kg x 0.0005 kg 3,000 g x 0.5 g 96 oz x 0.02 oz 6 lb x 0.02 oz	15 lb x 0.002 lb 6 kg x 0.001 kg 6,000 g x 1 g 240 oz x 0.5 oz 15 lb x 0.5 oz	30 lb x 0.005 lb 15 kg x 0.002 kg 15,000 g x 2 g 480 oz x 0.1 oz 30 lb x 0.1 oz	60 lb x 0.01 lb 30 kg x 0.005 kg 30,000 g x 5 g 960 oz x 0.2 oz 60 lb x 0.2 oz
Maximum Displayed Resolution	1:6,000	1:6,000	1:7,500	1:6,000
Weighing Units	g, kg, lb, oz, lb:oz			
Application Mode	Weighing			
Tare Range	To capacity by subtraction			
Stabilization Time	≤2 seconds			
Power requirements**	4 x D cell Alkaline battery, AC adapter or rechargeable battery			
Calibration	Digital with external weight			
Typical Battery Life	1500 hours with backlight turned off			
Construction	ABS plastic housing, stainless steel pan			
Safe Overload	150% of capacity			
Specified Temperature Range	32 to 104° F / 0 to 40 °C			
Display Type	Single display, LCD with white backlight			
Display Size	1.0 in / 25.4 mm			
Pan Size	9.65 x 7.48 in / 245 x 190 mm			
Scale Dimensions (W x D x H)	10.2 x 10.6 x 4.8 in / 260 x 270 x 122 mm			
Shipping Dimensions (W x D x H)	12.6 x 12.6 x 6.9 in / 319 x 319 x 175 mm			
Net Weight	5.5 lb / 2.5 kg			
Shipping Weight	6.8 lb / 3.1 kg			

\* Certain regions are available with V12PRx models, which are standard with AC adapter and rechargeable battery.

\*\*Availability is dependent on region.



TABLE 7-2. Specifications


Model	V12P2T	V12P5T	V12P10T	V12P20T
Capacity × Readability (Max × d non-approved)	5 lb x 0.0005 lb 2 kg x 0.0002 kg 2,000 g x 0.2 g 80 oz x 0.01 oz	10 lb x 0.001 lb 5 kg x 0.0005 kg 5,000 g x 0.5 g 160 oz x 0.02 oz	20 lb x 0.002 lb 10 kg x 0.001 kg 10,000 g x 1 g 320 oz x 0.05 oz	50 lb x 0.005 lb 20 kg x 0.002 kg 20,000 g x 2 g 800 oz x 0.1 oz
Maximum Displayed Resolution	1:10,000	1:10,000	1:10,000	1:10,000
Certified Capacity × Readability (Max × e approved)	5 lb x 0.002 lb 2 kg x 0.001 kg 2,000 g x 1 g 80 oz x 0.05 oz	10 lb x 0.005 lb 5 kg x 0.002 kg 5,000 g x 2 g 160 oz x 0.1 oz	20 lb x 0.01 lb 10 kg x 0.005 kg 10,000 g x 5 g 320 oz x 0.2 oz	50 lb x 0.02 lb 20 kg x 0.01 kg 20,000 g x 10 g 800 oz x 0.5 oz
Approved Resolution	1:2,000	1:2,500	1:2,000	1:2,000
Class	Class III NTEP / Measurement Canada			
Weighing Units	g, kg, lb, oz			
Application Mode	Weighing			
Tare Range	To capacity by subtraction			
Stabilization Time	≤2 seconds			
Power requirements	4 x Alkaline battery (not included) or AC adapter (included)			
Calibration	Digital with external weight			
Typical Battery Life	750 hours			
Construction	ABS plastic housing, stainless steel pan, in-use cover			
Safe Overload	150% of capacity			
Communication	Optional RS232			
Specified Temperature Range	32 to 104° F / 0 to 40 °C			
Display Type	LCD (front and back of scale) with white backlight			
Display Size	1.0 in / 25.4mm			
Pan Size	9.65 x 7.48 in / 245 x 190 mm			
Scale Dimensions (W x D x H)	10.2 x 10.6 x 4.8 in / 260 x 270 x 122 mm			
Shipping Dimensions (W x D x H)	12.6 x 12.6 x 6.9 in / 319 x 319 x 175 mm			
Net Weight	5.5 lb / 2.5 kg			
Shipping Weight	6.8 lb / 3.1kg			

TABLE 7-3. Specification

<b>Model</b>	<b>V12P3T</b>	<b>V12P6T</b>	<b>V12P15T</b>	<b>V12P30T</b>
Capacity × Readability (Max × d non- approved)	3 kg x 0.0002 kg 3000 g x 0.2 g	6 kg x 0.0005 kg 6000 g x 0.5 g	15 kg x 0.001 kg 15000 g x 1 g	30 kg x 0.002 kg 30000 g x 2 g
Maximum Displayed Resolution (d)	1:15,000	1:12,000	1:15,000	1:15,000
<b>Model</b>	<b>V12P3T-M</b>	<b>V12P6T-M</b>	<b>V12P15T-M</b>	<b>V12P30T-M</b>
Capacity × Readability (Max × e approved)	3 kg x 0.001kg 3000 g x 1 g	6 kg x 0.002 kg 6000 g x 2 g	15 kg x 0.005 kg 15000 g x 5 g	30 kg x 0.01 kg 30000 g x 10 g
Approved Resolution	1:3,000	1:3,000	1:3,000	1:3,000
Weighing Units	g, kg			
Application Mode	Weighing			
Tare Range	To capacity by subtraction			
Stabilization Time	≤2 seconds			
Power requirements	4 x Alkaline battery (included), AC adapter (optional) or rechargeable battery (optional)			
Calibration	Digital with external weight			
Typical Battery Life	750 hours			
Construction	ABS plastic housing, stainless steel pan			
Safe Overload	150% of capacity			
Communication	Optional RS232			
Specified Temperature Range	0 to 40 °C			
Display Type	LCD (front and back of scale) with white backlight			
Display Size	25.4mm			
Pan Size	245 x 190 mm			
Scale Dimensions (W x D x H)	260 x 270 x 122 mm			
Shipping Dimensions (W x D x H)	319 x319 x175 mm			
Net Weight	2.5 kg			
Shipping Weight	3.1 kg			

## 7.2 Compliance

Compliance to the following standards is indicated by the corresponding mark on the product.

Mark	Standard
	This product complies with the applicable harmonized standards of EU Directives 2011/65/EU (RoHS), 2014/30/EU (EMC), 2014/35/EU (LVD) and 2014/31/EU (NAWI). The EU Declaration of Conformity is available online at <a href="http://www.ohaus.com/ce">www.ohaus.com/ce</a> .
	Produkt ten jest zgodny z dyrektywą UE 2012/19/UE (WEEE) i 2006/66/WE (baterie). Please dispose of this product in accordance with local regulations at the collecting point specified for electrical and electronic equipment. For disposal instructions in Europe, refer to <a href="http://www.ohaus.com/weee">www.ohaus.com/weee</a> .
	EN 61326-1

### Important notice for V12P...-M verified weighing instruments in the EU

When the instrument is used in trade or a legally controlled application, it must be set up, verified and sealed in accordance with local weights and measures regulations. It is the responsibility of the purchaser to ensure that all pertinent legal requirements are met.

Weighing Instruments verified at the place of manufacture bear the following supplementary metrology marking on the descriptive plate.



Weighing Instruments to be verified in two stages have no supplementary metrology marking on the descriptive plate. The second stage of conformity assessment must be carried out by the applicable weights and measures authorities.

If national regulations limit the validity period of the verification, the user of the weighing instrument must strictly observe the re-verification period and inform the weights and measures authorities.

As verification requirements vary by jurisdiction, the purchaser should contact their local weights and measures office if they are not familiar with the requirements.

### ISED Canada Compliance Statement:

This Class B digital apparatus complies with Canadian ICES-003.

### ISO 9001 Registration

The management system governing the production of this product is ISO 9001 certified.

## FCC Supplier Declaration of Conformity

Unintentional Radiator per 47CFR Part B  
Trade Name: OHAUS CORPORATION  
Model or Family identification: V12...

### Issuing Party that Assembled the Product:

Ohaus Instruments (Changzhou) Co., Ltd.  
2F, 22 Block, 538 West Hehai Road, Xinbei District, Changzhou  
Jiangsu 213022  
China  
Phone: +86 519 85287270

### Responsible Party – U.S. Contact Information:

Ohaus Corporation  
7 Campus Drive, Suite 310  
Parsippany, NJ 07054  
United States  
Phone: +1 973 377 9000  
Web: [www.ohaus.com](http://www.ohaus.com)

### FCC Compliance Statement:

Note: This equipment has been tested and found to comply with the limits for a Class B digital device, pursuant to part 15 of the FCC Rules. These limits are designed to provide reasonable protection against harmful interference in a residential installation. This equipment generates, uses and can radiate radio frequency energy and, if not installed and used in accordance with the instructions, may cause harmful interference to radio communications. However, there is no guarantee that interference will not occur in a particular installation. If this equipment does cause harmful interference to radio or television reception, which can be determined by turning the equipment off and on, the user is encouraged to try to correct the interference by one or more of the following measures:

- Reorient or relocate the receiving antenna.
- Increase the separation between the equipment and receiver.
- Connect the equipment into an outlet on a circuit different from that to which the receiver is connected.
- Consult the dealer or an experienced radio/TV technician for help.

Changes or modifications not expressly approved by the party responsible for compliance could void the user's authority to operate the equipment.

## LIMITED WARRANTY

OHAUS products are warranted against defects in materials and workmanship from the date of delivery through the duration of the warranty period. During the warranty period OHAUS will repair, or, at its option, replace any component(s) that proves to be defective at no charge, provided that the product is returned, freight prepaid, to OHAUS.

This warranty does not apply if the product has been damaged by accident or misuse, exposed to radioactive or corrosive materials, has foreign material penetrating to the inside of the product, or as a result of service or modification by other than OHAUS. In lieu of a properly returned warranty registration card, the warranty period shall begin on the date of shipment to the authorized dealer. No other express or implied warranty is given by OHAUS Corporation. OHAUS Corporation shall not be liable for any consequential damages.

As warranty legislation differs from state to state and country to country, please contact OHAUS or your local OHAUS dealer for further details.



## Tabla de contenidos

1. INTRODUCCIÓN .....	2
1.1 INFORMACIÓN DE SEGURIDAD .....	2
1.2 Uso previsto .....	3
1.3 OPERACIÓN .....	4
1.4 Pantalla .....	4
2. INSTALACIÓN .....	5
2.1 Ubicación .....	5
2.2 Alimentación .....	5
2.3 Alimentación por batería recargable .....	5
2.4 Calibración inicial .....	6
3. OPERACIÓN .....	6
3.1 Encendido/apagado de la balanza .....	6
3.2 Pesaje .....	6
4. AJUSTES .....	7
4.1 Menú de calibración .....	7
4.2 Menú de ajustes .....	8
5. PAUTAS LEGALES PARA COMERCIO .....	10
5.1 Ajustes .....	10
5.2 Verificación .....	10
5.3 Sellado .....	10
6. MANTENIMIENTO .....	12
6.1 Limpieza .....	12
6.2 Resolución de problemas .....	12
6.3 Información de servicio .....	13
7. DATOS TÉCNICOS .....	13
7.1 Especificaciones .....	14
7.2 CUMPLIMIENTO .....	17

# 1. INTRODUCCIÓN

Este manual contiene las instrucciones de instalación, de operación y de mantenimiento para las balanzas Ohaus Valor™ 1000 Series. Lea todo el manual antes de usar la balanza.

## 1.1 INFORMACIÓN DE SEGURIDAD

### Definición de señales de advertencia y símbolos

Las notas de seguridad están marcadas con palabras de señales y símbolos de advertencia. Estos muestran los problemas y advertencias de seguridad. Ignorar las notas de seguridad puede causar lesiones personales, daños al instrumento, funcionamiento incorrecto y resultados incorrectos.

<b>ADVERTENCIA</b>	Para una situación peligrosa con riesgo medio, posiblemente cause lesiones graves o la muerte si no se evita.
<b>PRECAUCIÓN</b>	Para una situación peligrosa con riesgo bajo, que cause daños al dispositivo, a la propiedad, una pérdida de datos, o lesiones menores o moderadas si no se evita.
<b>ATENCIÓN</b>	Para información importante sobre el producto. Puede causar daño al equipo si no se evita.
<b>NOTA</b>	Para información útil sobre el producto.

### Símbolos de advertencia



Peligro general



Peligro de explosión



Peligro de descarga eléctrica

### Notas de seguridad



**PRECAUCIÓN:** Lea todas las precauciones de seguridad antes de instalar, realizar conexiones, o dar servicio a este equipo. El incumplimiento de estas advertencias puede resultar en lesiones personales y/o daños a la propiedad. Conserve todas las instrucciones para futuras referencias.

- Antes de conectarlo a la corriente, compruebe que el rango de tensión de entrada del adaptador de CA y el tipo de enchufe son compatibles con la fuente de alimentación local de CA.
- No coloque el equipo de tal forma que sea complicado alcanzar la conexión a la corriente.
- Asegúrese de que el cable de corriente no suponga un obstáculo potencial o un peligro de tropiezo.
- Utilice el equipo solo bajo las condiciones ambientales que se especifican en estas instrucciones.
- Este equipo es solo para uso en interiores.
- No utilice el equipo en entornos húmedos, peligrosos o inestables.
- No permita que entre líquido en el equipo.
- No cargue el equipo por encima de su capacidad homologada.



- No deje caer las cargas sobre la plataforma.
- No coloque el equipo boca abajo sobre la plataforma.
- Utilice solo accesorios y periféricos aprobados.
- Desconecte el equipo de la fuente de alimentación cuando realice la limpieza.
- El mantenimiento lo debe realizar personal autorizado.



**ADVERTENCIA:** ¡Nunca trabaje en un entorno sujeto a riesgos de explosión! La carcasa del instrumento no es hermética para gases. (riesgo de explosión debido a la formación de chispas, corrosión causada por el ingreso de los gases).

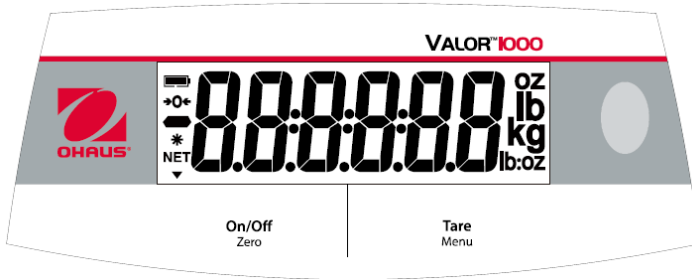


**PRECAUCIÓN:** La batería debe reemplazarla solo por un proveedor de servicio autorizado por OHAUS. Puede ocurrir un riesgo de explosión si la batería recargable es reemplazada con el tipo incorrecto o si no es conectada adecuadamente. Elimine la batería recargable según las leyes y reglamentos locales.

## 1.2 Uso previsto

Este instrumento tiene el objetivo de ser utilizado en comercios y en la industria ligera. Solo debe ser utilizado para medir los parámetros descritos en estas instrucciones de funcionamiento. Cualquier otro tipo de uso o de funcionamiento que exceda los límites de las especificaciones técnicas, y que no cuente con el consentimiento por escrito de OHAUS, será considerado no previsto. Este dispositivo cumple con los estándares industriales vigentes y con las normativas de seguridad aprobadas; sin embargo, su uso puede conllevar ciertos peligros. Si el dispositivo no se utiliza de acuerdo con estas instrucciones de funcionamiento, las medidas de seguridad con las que va equipado se verán afectadas.

### 1.3 OPERACIÓN



Botón	Funciones
<div style="border: 1px solid black; padding: 5px; width: fit-content; margin: 0 auto;"> <b>On/Off</b> Zero                 </div>	Pulsación (al estar apagado) Enciende la balanza Pulsación corta (encendido): Establece la pantalla a cero Pulsación larga (encendido): Apaga la balanza Pulsación (en menú): Confirmar (Entrar)
<div style="border: 1px solid black; padding: 5px; width: fit-content; margin: 0 auto;"> <b>Tare</b> Menu                 </div>	Pulsación corta: Entra / borra un valor de Tara Pulsación larga: Ingresa al Menú del usuario Pulsación (en menú): Cambia la selección de menú (Avanzar)

**Notas:**

Pulsación corta: Pulsar menos de 3 segundos.

Pulsación larga: Mantener pulsado durante más de 3 segundos.

### 1.4 Pantalla



Elem.	Descripción
1	Símbolo de carga de batería
2	Centro del símbolo cero
3	Símbolo negativo
4	Símbolo de peso estable
5	Símbolo NET

## 2. INSTALACIÓN

### 2.1 Ubicación

Utilice la balanza en una superficie firme y estable. Evite ubicaciones con corrientes de aire excesivas, vibraciones, fuentes de calor, o cambios de temperatura bruscos. Ajuste la pata de nivelación para que la burbuja esté centrada en el círculo.

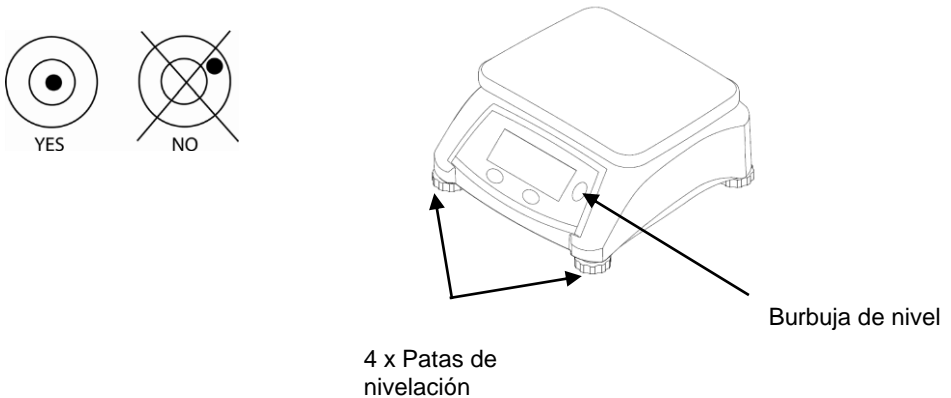


Figura 2-1. Nivelar la balanza.

### 2.2 Alimentación

Conecte el adaptador de CA a la alimentación de corriente de CA. Conecte el enchufe a la toma de CC en la parte inferior de la balanza. La balanza puede usarse con el adaptador de CA conectado a la alimentación de corriente o con 4 baterías alcalinas.

**Nota:** El adaptador de CA puede ser opcional o estar incluido con la balanza, esto depende del modelo.

### 2.3 Alimentación por batería recargable

Deje que la batería cargue durante 12 horas antes de usar la balanza con alimentación por batería. El instrumento puede funcionar durante la carga y la batería está protegida contra sobrecarga. Para obtener un tiempo de funcionamiento máximo, la batería debe cargarse a temperatura ambiente.

**Nota:** La disponibilidad depende de la región, ya que son accesorios.

**ATENCIÓN:** cargue la batería solamente cuando la temperatura ambiente esté entre 0 y 140 °F / 0 y 40 °C.

## 2.4 Calibración inicial

Cuando se utiliza la balanza por primera vez, se recomienda una calibración de intervalo para asegurar resultados de pesaje precisos. Antes de realizar la calibración, asegúrese de tener el peso de calibración adecuado. También, puede ponerse en contacto con un distribuidor o proveedor de servicio de OHAUS para obtener más información.

Consulte la sección 4.1 para conocer los procedimientos de calibración de intervalo.

Masas de calibración de intervalo requeridas (se venden por separado)	
Max	Masa
2000 g; 3000 g	2 kg / 6 lb
5000 g; 6000 g	5 kg / 15 lb
10000 g; 15000 g	10 kg / 30 lb
20000 g; 30000 g	20 kg / 60 lb

## 3. OPERACIÓN

### 3.1 Encendido/apagado de la balanza

Pulse **On/Off** para encender la balanza. La balanza encontrará y establecerá automáticamente el punto cero de pesaje después de mostrar la versión del software.

En el modo de pesaje, pulse **On/Off** durante más de 3 segundos para apagar la balanza.

### 3.2 Pesaje

Una vez que la balanza tenga un peso de cero estable y el peso de tara de cualquier paquete o recipiente haya sido capturado, coloque el producto para pesar en la plataforma; la pantalla mostrará el peso del producto en la unidad de medida seleccionada.

## 4. AJUSTES

La balanza permite que el usuario personalice varios ajustes; esto incluye la calibración, funcionamiento de la retroiluminación, cambio de unidades y apagado automático. Mantenga pulsado **Menu** durante más de 3 segundos hasta que vea **Ɔ.R.L.** Suelte el botón **Menu** después de entrar al menú de usuario.

### 4.1 Menú de calibración

Ingresa a este menú para realizar las calibraciones.

Una vez que la balanza muestre **Ɔ.R.L.**, pulse **On/Off** para ingresar al Menú de calibración y realizar una calibración de intervalo o linealidad.

Para un uso comercial legal, puede que necesite realizarse según los requerimientos locales de pesos y medidas. Póngase en contacto con su distribuidor y técnico de servicio local de la balanza para obtener más información. Pulse **Tare** para salir de la Calibración y volver al Menú de ajustes.

**Nota:** La calibración no está permitida en algunas regiones o cuando la báscula está en modo Aprobado.

#### SPAN [5PPT]

Inicie el procedimiento de calibración de intervalo usando un peso de calibración de intervalo igual a la capacidad máxima de la balanza. Pulse **On/Off** para ingresar a la rutina de calibración de SPAN, o pulse **Tare** para proceder con una calibración Lin.

Cuando se muestre 0,000kg, haga una pulsación corta a **On/Off** para capturar el peso cero si la plataforma está vacía.

Cuando se muestre la capacidad máxima de la balanza, coloque un peso igual a la capacidad de la balanza y haga una pulsación corta a **On/Off**.

Si la balanza muestra "**ƆRL - E**", uno de los pesos usados para calibrar es incorrecto y la balanza no completó la calibración.

Para salir de la calibración en cualquier momento, haga una pulsación corta a **Tare/Menu**.

#### Lin [L !P]

Inicie un procedimiento de calibración de linealidad (cero, punto medio e intervalo).

Al realizar una calibración de linealidad, la balanza le mostrará un mensaje para obtener un peso cero; la plataforma vacía y pantalla de peso en cero; un peso de punto medio igual al 50% del peso de intervalo, y un peso de intervalo igual a la capacidad máxima de la balanza.

Cuando se muestre 0,000kg, haga una pulsación corta a **On/Off** para capturar el peso cero si la plataforma está vacía.

Cuando se muestre la capacidad media de la balanza, coloque un peso igual al 50 % de la capacidad de la balanza en la bandeja y haga una pulsación corta a **On/Off**.

Cuando se muestre la capacidad máxima de la balanza, coloque un peso igual a la capacidad de la balanza y haga una pulsación corta a **On/Off**.

Si la balanza muestra "**ƆRL - E**", uno de los pesos usados para calibrar es

incorrecto y la balanza no realizó la calibración.

Para salir de la calibración en cualquier momento, haga una pulsación corta a **Tare/Menu**.

### End [Énd]

Pulse **On/Off** para avanzar al menú de ajustes, o pulse **Tare** para volver a la calibración de intervalo.

**Nota:** Para salir de una calibración en cualquier momento, mantenga pulsado el botón **On/Off** hasta que la balanza se apague.

## 4.2 Menú de ajustes

Ingrese a este menú para establecer parámetros de la balanza.

Iluminación:	Off, On, <b>Auto</b>
Unidad:	<b>kg</b> , g, lb, oz, lb:oz
Apagado automático:	<b>A00</b> , A01, A05, A10, Off
End	Salir del Menú

**Nota:** Las unidades varían según las diferentes regiones o modelos.

### Iluminación [L. I.L.H.E]

Esto establece el funcionamiento de la retroiluminación en la pantalla.

ON = siempre encendido

OFF = siempre apagado

**AUTO** = Se enciende cuando se pulsa un botón o al mostrar cambios de peso. Por otra parte, la retroiluminación se apaga cuando el peso que se muestra no cambia durante más de 10 segundos.

### Unidad [U.N. I.E]

La balanza Valor 1000 permite usar una unidad de peso a la vez. Las unidades pueden cambiarse en estos ajustes de menú y aparecerán cuando salga del menú.

Pulse **On/Off** para ingresar al submenú Unidad. Verá "kg" mostrado para kilogramos. Pulse **On/Off** para aceptar kilogramos como unidad de peso y salir del submenú Unidad, o pulse **Tare** para avanzar a la siguiente unidad.

### Menú de apagado automático [A. -O.F.F]

Establece el tiempo de apagado automático para la balanza.

**A00** = se apaga después de 5 minutos sin actividad con batería solamente; deshabilitado con adaptador de CA alimentado

A01 = se apaga después de 1 minuto de inactividad

A05 = se apaga después de 5 minutos de inactividad

A10 = se apaga después de 10 minutos de inactividad

Off = deshabilitado

**Sonido del botón [b.P. E.Y]**

ON = enciende el sonido que se produce al pulsar cualquier tecla.

OFF = apaga el sonido que se produce al pulsar cualquier tecla.

**Finalizar ajustes [E.n.d]**

Pulse el botón Tare/Menu para volver al menú **C.A.L.**, o pulse el botón On/Off para pasar al funcionamiento normal.

## 5. PAUTAS LEGALES PARA COMERCIO

Cuando se utilice la báscula en un comercio o con una aplicación controlada legalmente, debe ser configurada, verificada y sellada de acuerdo a las normativas locales en cuanto a medidas y a pesos. Es responsabilidad del comprador garantizar que se cumplan las exigencias legales. Dado que esos requisitos varían en función de la jurisdicción, se recomienda que el comprador se ponga en contacto con su oficina local de pesos y medidas para conocer las instrucciones a la hora de poner en funcionamiento la balanza.

### 5.1 Ajustes

Antes de la verificación y el sellado, se deben llevar a cabo los siguientes pasos:

1. Confirmar que la unidad de medida seleccionada está permitida por las regulaciones locales en cuanto a pesos y medidas.
2. Realizar una calibración tal y como se explica en la Sección 4.1.
3. Ajustar la posición del interruptor de seguridad tal y como se muestra en la Sección 5.3.

### 5.2 Verificación

Un responsable autorizado de pesos y medidas debe llevar a cabo el procedimiento de verificación. Póngase en contacto con su oficina local de pesos y medidas para obtener más información.

### 5.3 Sellado

Se utiliza un interruptor LFT debajo de la cubierta de sellado para mantener seguro el menú de ajustes. Cuando está pulsado el interruptor, se podrá visualizar el menú de ajustes, pero no modificarlo. Esta cubierta de sellado está ubicada en la parte inferior de la báscula. Retire la tapa de sellado con un destornillador y luego presione el interruptor cuando la báscula esté encendida. Después de esto, verá que en la pantalla aparece el mensaje "L F E .00".



Cubierta del interruptor LFT



Interruptor LFT

Después de que la báscula haya sido verificada, debe ser sellada por el responsable autorizado de pesos y medidas para evitar accesos no deseados a los



ajustes controlados legalmente. Consulte las ilustraciones que aparecen a continuación para más información sobre el sellado.



Sellado

## 6. MANTENIMIENTO

### 6.1 Limpieza



**ATENCIÓN** Peligro de descarga eléctrica. Desconecte el equipo de la corriente antes de realizar la limpieza.



**Atención:** No utilice disolventes, productos químicos corrosivos, amoníaco ni agentes limpiadores abrasivos.

La carcasa puede ser limpiada con un paño humedecido con un detergente suave si es necesario.

### 6.2 Resolución de problemas

La siguiente tabla lista los problemas comunes y sus posibles causas y soluciones. Si el problema persiste, contacte a OHAUS o a su distribuidor autorizado.

TABLA 6-1. RESOLUCIÓN DE PROBLEMAS.

Síntoma	Posible causa	Posible solución
Err E	Error de calibración: entorno inestable o peso de calibración incorrecto	Revise el entorno y los pesos de calibración, y luego vuelva a calibrar.
Err 8.1	El peso de Encendido en la plataforma supera el rango de cero.	Vacíe la bandeja.
Err 8.2	El peso de Encendido en la plataforma está por debajo del rango de cero.	Revise si falta la bandeja.
Err 8.3	Sobrecarga (el peso supera la capacidad nominal)	Retire el peso de la bandeja.
Err 8.4	Carga baja (se retiró la bandeja)	Vuelva a colocar la bandeja.
Err 8.5	Peso de tara fuera del rango	El valor de tara supera el máximo.
Err 9.5	Error de datos interno o error de datos de calibración	Póngase en contacto con OHAUS o su distribuidor autorizado para recibir asistencia.

Err 13	Error al escribir en la EEPROM	Póngase en contacto con OHAUS o su distribuidor autorizado para recibir asistencia.
Lo.BAt	Batería muy baja	Reemplace las baterías; Cargue la batería recargable.
--n0--	No se permiten acciones	/
-----	Ocupado	/

## 6.3 Información de servicio

Si la sección de resolución de problemas no soluciona ni describe su problema, póngase en contacto con su agente de servicio autorizado de OHAUS. Para recibir asistencia o soporte técnico dentro de los Estados Unidos, llame gratis al 1-800-672-7722 ext. 7852 de 8:00 A. M. a 5:00 P. M. EST. Un especialista en servicios de productos OHAUS estará disponible para brindarle asistencia de lunes a viernes. Fuera de los Estados Unidos, Canadá, y Puerto Rico, visite nuestro sitio web, [www.ohaus.com](http://www.ohaus.com) para ubicar la oficina de OHAUS más cercana.

## 7. DATOS TÉCNICOS

Especificaciones del equipo:

Solo para usos en interiores

Los datos técnicos son válidos cuando están presente las siguientes condiciones:

Solo para usos en interiores

Altitud: 2000m

Temperatura de funcionamiento: 0 °C a 40 °C

Humedad: Humedad relativa máxima del 80 % para temperaturas hasta 31 °C disminuyendo linealmente hasta una humedad relativa del 50 % a 40 °C.

Alimentación eléctrica: Suministro eléctrico: 12 VDC, 0,5A. Debe usarse con una fuente de alimentación aprobada, con SELV y con una salida de circuito de energía limitada.

Fluctuaciones de tensión: Fluctuaciones de tensión de la fuente de alimentación de hasta un  $\pm 10$  % de la tensión nominal.

Categoría de sobretensión (Categoría de instalación): II

Grado de contaminación: 2

## 7.1 Especificaciones

TABLA 7-1. Especificaciones

Modelo*	V12P3	V12P6	V12P15	V12P30
Capacidad x Legibilidad (Max x d no aprobado)	6 lb x 0,001 lb 3 kg x 0,0005 kg 3.000 g x 0,5 g 96 oz x 0,02 oz 6 lb x 0,02 oz	15 lb x 0,002 lb 6 kg x 0,001 kg 6.000 g x 1 g 240 oz x 0,5 oz 15 lb x 0,5 oz	30 lb x 0,005 lb 15 kg x 0,002 kg 15.000 g x 2 g 480 oz x 0,1 oz 30 lb x 0,1 oz	60 lb x 0,01 lb 30 kg x 0,005 kg 30.000 g x 5 g 960 oz x 0,2 oz 60 lb x 0,2 oz
Resolución máxima mostrada	1:6.000	1:6.000	1:7.500	1:6.000
Unidades de pesaje	g, kg, lb, oz, lb:oz			
Modo de aplicación	Pesaje			
Rango de tara	Hasta la capacidad por sustracción			
Tiempo de estabilización	≤2 segundos			
Requerimientos de alimentación**	4 x Baterías alcalinas tipo D, adaptador de CA o batería recargable			
Calibración	Digital con peso externo			
Duración típica de la batería	1500 horas con la retroiluminación apagada			
Construcción	Carcasa de plástico ABS, bandeja de acero inoxidable			
Sobrecarga segura	150% de la capacidad			
Rango de temperatura especificado	32 a 104° F / 0 a 40 °C			
Tipo de pantalla	Pantalla única, LCD con retroiluminación blanca			
Tamaño de la pantalla	1,0 in / 25,4 mm			
Tamaño de la bandeja	9,65 x 7,48 in / 245 x 190 mm			
Dimensiones de la balanza (W x D x H)	10,2 x 10,6 x 4,8 in / 260 x 270 x 122 mm			
Dimensiones del envío (W x D x H)	12,6 x 12,6 x 6,9 in / 319 x 319 x 175 mm			
Peso neto	5,5 lb / 2,5 kg			
Peso de envío	6,8 lb / 3,1kg			

\* Ciertas regiones están disponibles con los modelos V12PRx, que son estándar con adaptador de CA y batería recargable.

\*\* La disponibilidad depende de la región.

TABLA 7-2. Especificaciones




Modelo	V12P2T	V12P5T	V12P10T	V12P20T
Capacidad x Legibilidad (Max x d no aprobado)	5 lb x 0,0005 lb 2 kg x 0,0002 kg 2.000 g x 0,2 g 80 oz x 0,01 oz	10 lb x 0,001 lb 5 kg x 0,0005 kg 5.000 g x 0,5 g 160 oz x 0,02 oz	20 lb x 0,002 lb 10 kg x 0,001 kg 10.000 g x 1 g 320 oz x 0,05 oz	50 lb x 0,005 lb 20 kg x 0,002 kg 20.000 g x 2 g 800 oz x 0,1 oz
Resolución máxima mostrada	1:10.000	1:10.000	1:10.000	1:10.000
Capacidad certificada x Legibilidad (Max x e aprobado)	5 lb x 0,002 lb 2 kg x 0,001 kg 2.000 g x 1 g 80 oz x 0,05 oz	10 lb x 0,005 lb 5 kg x 0,002 kg 5.000 g x 2 g 160 oz x 0,1 oz	20 lb x 0,01 lb 10 kg x 0,005 kg 10.000 g x 5 g 320 oz x 0,2 oz	50 lb x 0,02 lb 20 kg x 0,01 kg 20.000 g x 10 g 800 oz x 0,5 oz
Resolución aprobada	1:2.000	1:2.500	1:2.000	1:2.000
Clase	Clase III NTEP / Medida en Canadá			
Unidades de pesaje	g, kg, lb, oz			
Modo de aplicación	Pesaje			
Rango de tara	Hasta la capacidad por sustracción			
Tiempo de estabilización	≤2 segundos			
Requerimientos de alimentación	4 x Baterías alcalinas (no incluidas) o adaptador de CA (incluido)			
Calibración	Digital con peso externo			
Duración típica de la batería	750 horas			
Construcción	Carcasa de plástico ABS, bandeja de acero inoxidable, cubierta para uso			
Sobrecarga segura	150% de la capacidad			
Comunicación	Opcional RS232			
Rango de temperatura especificado	32 a 104° F / 0 a 40 °C			
Tipo de pantalla	LCD (lado frontal y posterior de la balanza) con retroiluminación blanca			
Tamaño de la pantalla	1,0 in / 25,4 mm			
Tamaño de la bandeja	9,65 x 7,48 in / 245 x 190 mm			
Dimensiones de la balanza (W x D x H)	10,2 x 10,6 x 4,8 in / 260 x 270 x 122 mm			
Dimensiones del envío (W x D x H)	12,6 x 12,6 x 6,9 in / 319 x 319 x 175 mm			
Peso neto	5,5 lb / 2,5 kg			
Peso de envío	6,8 lb / 3,1kg			

TABLA 7-3. Especificaciones

<b>Modelo</b>	<b>V12P3T</b>	<b>V12P6T</b>	<b>V12P15T</b>	<b>V12P30T</b>
Capacidad x Legibilidad (Max x d no aprobado)	3 kg x 0,0002 kg 3000 g x 0,2 g	6 kg x 0,0005 kg 6000 g x 0,5 g	15 kg x 0,001 kg 15000 g x 1 g	30 kg x 0,002 kg 30000 g x 2 g
Resolución máxima mostrada (d)	1:15.000	1:12.000	1:15.000	1:15.000
<b>Modelo</b>	<b>V12P3T-M</b>	<b>V12P6T-M</b>	<b>V12P15T-M</b>	<b>V12P30T-M</b>
Capacidad x Legibilidad (Max x e aprobado)	3 kg x 0,001 kg 3000 g x 1 g	6 kg x 0,002 kg 6000 g x 2 g	15 kg x 0,005 kg 15000 g x 5 g	30 kg x 0,01 kg 30000 g x 10 g
Resolución aprobada	1:3.000	1:3.000	1:3.000	1:3.000
Unidades de pesaje	g, kg			
Modo de aplicación	Pesaje			
Rango de tara	Hasta la capacidad por sustracción			
Tiempo de estabilización	≤2 segundos			
Requerimientos de alimentación	4 x Baterías alcalinas (incluidas), adaptador de CA (opcional) o batería recargable (opcional)			
Calibración	Digital con peso externo			
Duración típica de la batería	750 horas			
Construcción	Carcasa de plástico ABS, bandeja de acero inoxidable			
Sobrecarga segura	150% de la capacidad			
Comunicación	Opcional RS232			
Rango de temperatura especificado	0 a 40 °C			
Tipo de pantalla	LCD (lado frontal y posterior de la balanza) con retroiluminación blanca			
Tamaño de la pantalla	25,4mm			
Tamaño de la bandeja	245 x 190 mm			
Dimensiones de la balanza (W x D x H)	260 x 270 x 122 mm			
Dimensiones del envío (W x D x H)	319 x 319 x 175 mm			
Peso neto	2,5 kg			
Peso de envío	3,1 kg			

## 7.2 CUMPLIMIENTO

El cumplimiento a las siguientes normas lo indica las marcas que se presente a continuación. Estas marcas están en el producto.

Marca	Estándar
	Este producto cumple con las normas estandarizadas vigentes de las Directivas de la UE 2011/65/EU (RoHS), 2014/30/EU (EMC), 2014/35/EU (LVD) y 2014/31/EU (NAWI). La Declaración de Conformidad con la normativa comunitaria está disponible en línea, en <a href="http://www.ohaus.com/ce">www.ohaus.com/ce</a> .
	Este producto cumple con la Directiva de la UE 2012/19/EU (WEEE) y 2006/66/EC (Baterías). Elimine este producto de acuerdo con los reglamentos locales en los puntos de recolección que se ponen a disposición para los equipos eléctricos y electrónicos.  Para más instrucciones de eliminación en Europa, consulte <a href="http://www.ohaus.com/weee">www.ohaus.com/weee</a> .
	EN 61326-1

### Aviso importante para dispositivos de pesaje verificados V12p...-M en la UE.

Cuando el instrumento se usa en una transacción o en una aplicación controlada legalmente, este debe ser configurado, verificado y sellado de acuerdo con los reglamentos de pesos y mediciones locales. Es la responsabilidad del comprador asegurar que se cumplan todos los requisitos legales pertinentes.

Los instrumentos de pesaje verificados en el lugar de fabricación deben llevar el siguiente marcado adicional de metrología en una placa descriptiva.



Los instrumentos de pesaje que tiene que ser verificados en dos etapas no llevan un marcado adicional de metrología en la placa descriptiva. La segunda etapa de la evaluación de conformidad debe llevarse a cabo por las autoridades pertinentes de pesaje y de mediciones.

Si los reglamentos nacionales limitan la validez del periodo de verificación, el usuario del instrumento de pesaje debe observar estrictamente el periodo de reverificación e informar a las autoridades de pesaje y de mediciones.

Dado que los requisitos de verificación varían por jurisdicción, el comprador debe contactar a su oficina local de pesaje y de mediciones si desconoce los requisitos.

### Declaración de cumplimiento con la ISED en Canadá:

Este aparato digital de Clase B cumple con el ICES-003 canadiense.

### Registro de ISO 9001

El sistema de gestión que rige la producción de este producto está certificado por la norma ISO 9001.

### **GARANTÍA LIMITADA**

Los productos Ohaus están garantizados contra defectos en los materiales y mano de obra desde la fecha de entrega y hasta que termine el período de garantía. Durante el período de garantía, Ohaus reparará, o si procede, reemplazará sin coste alguno cualquier componente o componentes que resulten ser defectuosos, siempre y cuando se devuelva el producto a Ohaus con los gastos de envío pagados por adelantado.

Esta garantía no se aplica si el producto ha sido dañado por accidente o mal uso, expuesto a materiales radioactivos o corrosivos, si algún objeto extraño entra en el interior del producto, o como resultado de haber sido modificado o prestado servicio por personas ajenas a Ohaus. Además del envío apropiado de la tarjeta de garantía, el periodo de garantía comienza en la fecha del envío al distribuidor autorizado. No existe ninguna otra garantía expresa o implícita ofrecida por Ohaus Corporation. Ohaus Corporation no puede ser demandada por daños consecuentes.

Ya que las legislaciones de garantías difieren de estado a estado y de país a país, para obtener más información póngase en contacto con su representante local de Ohaus.



## Table des matières

1. INTRODUCTION .....	2
1.1 INFORMATIONS DE SECURITE .....	2
1.2 Usage prévu .....	3
1.3 Boutons de contrôle.....	4
1.4 Affichage.....	4
2. INSTALLATION .....	5
2.1 Emplacement.....	5
2.2 Puissance .....	5
2.3 Alimentation par Batterie Rechargeable .....	5
2.4 Etalonnage initial .....	6
3. FONCTIONNEMENT .....	6
3.1 Allumage de la Balance On / Off.....	6
3.2 Pesée .....	6
4. REGLAGES .....	7
4.1 Menu d'étalonnage .....	7
4.2 Menu de configuration .....	8
5. LEGALEMENT APPROUVES .....	10
5.2 Vérification.....	10
5.3 Fermeture .....	10
6. ENTRETIEN .....	12
6.1 Nettoyage .....	12
6.2 Dépannage .....	12
6.3 Service d'information .....	13
7. DONNÉES TECHNIQUES.....	13
7.1 Caractéristiques Techniques .....	14
7.2 CONFORMITÉ.....	17

# 1. INTRODUCTION

Ce manuel contient les consignes d'installations, de fonctionnement et d'entretien des Balances de la série Ohaus Valor™ 1000. Merci de lire le manuel dans son intégralité avant d'utiliser la balance.

## 1.1 INFORMATIONS DE SECURITE

### Définition des signes d'avertissements et des symboles

Les consignes de sécurité sont marquées avec des mots, des signaux et symboles d'avertissement. Ceux-ci indiquent les problèmes de sécurité et les avertissements. Ignorer les consignes de sécurité peut entraîner des blessures, des dommages à l'instrument, des dysfonctionnements et des résultats erronés.

ATTENTION	Situation dangereuse avec un risque moyen, pouvant entraîner des blessures graves ou la mort.
MISE EN GARDE	Situation dangereuse avec un faible risque, entraînant des dommages à l'appareil ou la perte de données, ou des blessures mineures ou moyennes voire évitée.
ATTENTION	Informations importantes sur le produit. Peut entraîner des dommages matériels.
REMARQUE	Informations utiles sur le produit.

### Symboles d'avertissement



Danger Général



Risque d'explosion



Risque de choc électrique

### Consignes de sécurité



**MISE EN GARDE** : Lire tous les avertissements de sécurité avant d'installer, de connecter ou d'entretenir cet équipement. Le non-respect de ces avertissements pourrait entraîner des blessures et / ou des dommages matériels. Conservez toutes les instructions pour référence ultérieure.

- Avant de brancher au courant, vérifiez que la plage de tensions de l'adaptateur AC et le type de branchement sont compatibles avec l'alimentation électrique de l'AC.
- Ne positionnez pas l'appareil d'une manière qui rendrait difficile l'accès au branchement.
- Assurez-vous que le cordon électrique ne pose aucun obstacle ou danger de chute potentiel.
- Ne faites fonctionner l'appareil que sur les conditions environnantes précisées dans ces instructions.
- L'appareil n'est destiné qu'à usage intérieur.
- Ne faites pas fonctionner l'appareil dans un environnement humide, risqué ou instable.
- Ne mettez de liquide dans l'appareil.
- Ne chargez pas l'appareil au-delà de sa capacité.

- Ne faites pas tomber de charge lourde sur la plate-forme.
- Ne placez pas l'appareil à l'envers sur la plate-forme.
- N'utilisez que des accessoires et périphériques approuvés.
- Déconnectez l'appareil de l'alimentation électrique quand vous le nettoyez.
- Le service ne doit être effectué que par un personnel autorisé.



**ATTENTION** : Ne jamais travailler dans un environnement à risque d'explosion! Le boîtier de l'appareil n'est pas étanche au gaz. (Risque d'explosion dû à la formation des étincelles, corrosion causée par la pénétration de gaz).



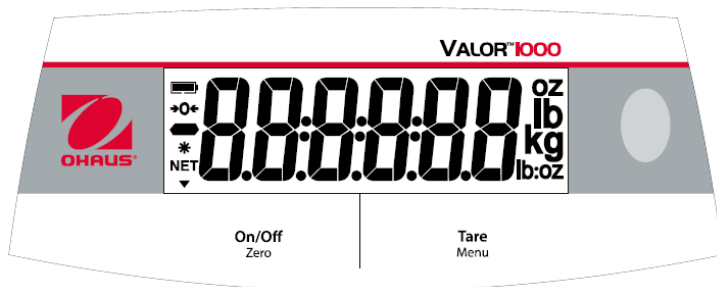
**MISE EN GARDE** : La batterie ne doit être remplacée que par un revendeur agréé Ohaus. Un risque d'explosion peut se produire si la batterie rechargeable est remplacée par le mauvais type ou si elle n'est pas correctement connectée. Disposez de la batterie rechargeable conformément aux lois et réglementations locales.

## 1.2 Usage prévu

Cet instrument est destiné à être utilisé par les entreprises et l'industrie légère. Il ne doit être utilisé que pour mesurer les paramètres décrits dans ces instructions de fonctionnement. Tout autre type d'utilisation et opération dépassant les limites des spécifications techniques, sans consentement écrit de l'OHAUS n'est considéré comme non conforme. Cet instrument est conforme aux normes actuelles de l'industrie et aux normes de sécurité reconnues; cependant, il peut comporter des risques lors de son utilisation.

Si l'instrument n'est pas utilisé selon ces instructions de fonctionnement, la protection envisagée fournie par l'instrument pourrait être altérée.

## 1.3 Boutons de contrôle



Bouton	Fonction
<div style="border: 1px solid black; padding: 5px; width: fit-content; margin: auto;"> <b>On/Off</b> Zero         </div>	Quand balance éteinte : allume la balance. Court, Quand balance allumée : affichage à zéro Long, Quand balance allumée : éteint la balance. Dans menu : confirmer (Entrée)
<div style="border: 1px solid black; padding: 5px; width: fit-content; margin: auto;"> <b>Tare</b> Menu         </div>	Court : renseigne / efface une valeur de Tare Long : entre dans le menu utilisateur Dans le menu : permet de modifier les sélections de menu (en avant)

### Remarques :

Court : Appuyez moins de 3 secondes.

Long : Maintenez enfoncé pendant plus de 3 secondes.

## 1.4 Affichage



Article	Description
1	Symbole de charge de la batterie
2	Symbole Centre du zéro
3	Symbole négatif
4	Symbole de poids stable
5	Symbole NET

## 2. INSTALLATION

### 2.1 Emplacement

Utilisez la balance sur une surface ferme et stable. Évitez les courants d'air excessif, les vibrations, les sources de chaleur ou les changements rapides de température. Ajustez les pieds de mise à niveau afin que la bulle soit centrée dans le circle.

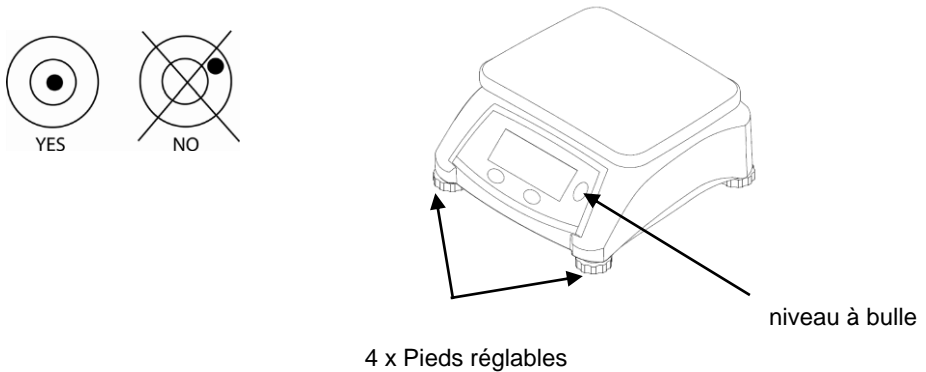


Figure 2-1. Mise à niveau de la balance.

### 2.2 Puissance

Branchez l'adaptateur secteur à l'alimentation secteur. Raccorder la fiche à la prise de tension continue sur la partie inférieure de la balance. La balance peut fonctionner sur l'adaptateur AC connecté à l'alimentation secteur ou avec 4 piles alcalines.

**Remarque :** L'adaptateur secteur peut-être en option ou inclus avec la balance, en fonction du modèle.

### 2.3 Alimentation par Batterie Rechargeable

Laissez la batterie se charger pendant 12 heures avant d'utiliser la balance en mode d'alimentation sur batterie. L'appareil peut être utilisé pendant la charge et la batterie est protégée contre la surcharge. Pour une durée de fonctionnement maximum, la batterie doit être chargée à la température ambiante.

**Remarque :** La disponibilité est fonction de la région.

**AVERTISSEMENT:** Ne chargez la batterie que quand la température ambiante est entre 0 et 140 °F / 0 et 40 °C.

## 2.4 Etalonnage initial

Lorsque la balance est utilisée pour la première fois, un étalonnage du SPAN est recommandé afin d'obtenir des résultats de pesée précis. Avant d'effectuer l'étalonnage, assurez-vous d'avoir le poids de calibrage approprié. Vous pouvez également contacter un concessionnaire de balances OHAUS pour plus d'informations.

Reportez-vous à la section 4.1 pour les procédures d'étalonnage du Span.

Masses d'étalonnage du Span requises (vendu séparément)	
max	Masse
2000 g; 3000 g	2 kg / 6 lb
5000 g; 6000 g	5 kg / 15 lb
10000 g; 15000g	10 kg / 30 lb
20 000 g; 30000 g	20 kg / 60 lb

## 3. FONCTIONNEMENT

### 3.1 Allumage de la Balance On / Off

Appuyez sur On / Off pour allumer la balance. La balance va trouver et régler le point de poids zéro automatiquement après avoir affiché la version du logiciel. En mode de pesée, appuyez brièvement sur Marche / Arrêt pendant plus de 3 secondes pour éteindre la balance.

### 3.2 Pesée

Une fois que la balance a un poids zéro stable ou que la tare a été réalisée avec le poids de l'emballage/contenant, placer le produit pesé sur la plate-forme - l'écran affiche le poids du produit dans l'unité de mesure choisie.

## 4. REGLAGES

La balance permet à l'utilisateur de personnaliser plusieurs paramètres, y compris l'étalonnage, le fonctionnement du rétro-éclairage, changement d'unité et d'arrêt automatique. Appuyez longuement sur Menu pendant plus de 3 secondes jusqu'à ce que vous voyiez **LR**. Relâchez le bouton **Menu** une fois dans le menu utilisateur.

### 4.1 Menu d'étalonnage

Entrez dans ce menu pour effectuer des étalonnages.

Une fois que la balance affiche **LR**, Appuyez sur On / Off pour accéder au menu d'étalonnage et effectuer un étalonnage Span ou linéaire.

Pour une utilisation commerciale légale, cela peut être fait conformément aux poids et aux exigences locales des mesures. Contactez votre revendeur de balance local pour plus d'informations.

Appuyer sur Tare pour quitter le menu de Calibration et passer au menu de configuration.

**Remarque:** l'étalonnage n'est pas autorisé dans certaines régions ou lorsque la balance est en mode approuvé.

#### SPAN [SPRN]

Lance une procédure d'étalonnage SPAN en utilisant un poids d'étalonnage SPAN égal à la capacité totale de la balance. Appuyez sur On / Off pour entrer dans la routine d'étalonnage SPAN, ou appuyez sur Tare pour procéder à un étalonnage Linéaire.

Lorsque 0,000 kg est affichée, appuyez brièvement sur On / Off pour capturer le poids zéro si la plate-forme est vide.

Lorsque la pleine capacité de la balance est affichée, placez un poids égal à la capacité de la balance et appuyez brièvement sur On / Off.

Si la balance affiche "**LR - E**", c'est que l'un des poids utilisés pour calibrer est n'est pas correcte et empêche l'étalonnage de se réaliser.

Pour quitter l'étalonnage à tout moment, appuyez brièvement sur Tare / Menu.

#### Lin [L LN]

Lance une procédure d'étalonnage Linéaire (zéro, point milieu et SPAN).

Lorsque vous effectuez une calibration linéaire, la balance vous demandera un poids nul - la plate-forme sans rien sur elle et l'affichage du poids à zéro - un poids Midpoint égal à 50% du poids Span, et un poids Span égal à la capacité de charge max de la balance.

Lorsque 0,000 kg est affichée, appuyez brièvement sur On / Off pour capturer le poids zéro si la plate-forme est vide.

Lorsque la moitié de la capacité de charge de la balance est indiquée, placez un poids égal à 50% de la capacité de la balance sur le plateau et appuyez brièvement sur Marche / Arrêt.

Lorsque la pleine capacité de la balance est affichée, placez un poids égal à la capacité de charge de la balance et appuyez brièvement sur On / Off.

Si la balance affiche "CAL - E", c'est que l'un des poids utilisés pour calibrer n'est pas correcte et empêche l'étalonnage de se réaliser.

Pour quitter l'étalonnage à tout moment, appuyez brièvement sur Tare / Menu.

### Fin [F n]

Appuyez sur On / Off pour passer au menu de configuration, ou appuyez sur Tare pour revenir à l'étalonnage Span.

**Remarque:** Pour quitter un étalonnage à tout moment, appuyez sur la touche On / Off jusqu'à ce que la balance s'éteigne.

## 4.2 Menu de configuration

Entrez dans ce menu pour définir les paramètres de la balance.

Lumière:	Off, On, Auto
Unité:	kg, g, lb, oz, lb: oz
Arrêt automatique:	A00, A01, A05, A10, Off
Fin	Quitter le menu

**NOTE:** Les unités varient selon les régions ou les modèles.

### Lumière [L n, E - E]

Ceci définit le fonctionnement du rétroéclairage de l'écran.

ON = toujours allumé

OFF = toujours éteint

**AUTO**= Active lorsqu'une touche est enfoncée ou les changements de poids affichés. Sinon, le rétro-éclairage s'éteint lorsque le poids affiché ne change pas pendant plus de 10 secondes.

### Unités [U n, E]

La Valeur 1000 permet à une seule unité de pesée d'être utilisée à la fois. Les unités peuvent être modifiées dans ce paramètre de menu et apparaîtront lorsque vous quittez le menu.

Appuyez sur On / Off pour entrer dans le sous-menu de l'unité. Vous verrez « kg » affiché pour kilogrammes. Appuyez sur On / Off pour accepter kg comme unité de pesée et quitter le sous-menu de l'unité, ou pressez Tare pour passer à l'unité suivante.

### Arrêt automatique Menu [A. - OFF]

Réglez le temps d'arrêt automatique de la balance.

**A00** = s'éteint après 5 minutes d'inactivité avec uniquement une batterie; désactivé avec l'adaptateur secteur alimenté

**A01** = Mise hors tension après 1 minute d'inactivité

**A05** = Mise hors tension après 5 minutes d'inactivité

**A10** = Mise hors tension après 10 minutes d'inactivité

Off = désactivé



**Beeper clé [bP.É]**

ON = active le son de l'avertisseur sonore lorsque vous appuyez sur une touche.

OFF = désactive le son de l'avertisseur sonore lorsque vous appuyez sur une touche.

**Configuration de fin [F 0]**

Appuyez sur la touche Tare / Menu pour revenir au menu **CAL**, ou appuyez sur la touche **On/Off** pour revenir en mode normal.

## 5. LEGALEMENT APPROUVES

Quand la balance est utilisée dans le commerce ou une application légalement contrôlée, elle doit être installée, vérifiée et scellée en accord avec les réglementations locales sur les poids et mesures. C'est la responsabilité de l'acheteur d'assurer que toutes les exigences légales qui s'y appliquent soient respectées. Vu que les exigences varient selon les juridictions, il est conseillé à l'acheteur de contacter le bureau local des poids et mesures pour des instructions sur la mise en service de la balance.

### 5.1 Installation

Avant la vérification et la fermeture, procédez aux étapes suivantes:

1. Confirmez que l'unité de mesure sélectionnée est autorisée par les réglementations locales des poids et mesures.
2. Effectuez un calibrage comme expliqué dans la Section 4.1.
3. Placez l'interrupteur de sécurité comme montré dans la Section 5.3.

### 5.2 Vérification

Un agent du bureau des poids et mesures doit effectuer la procédure de vérification. Contactez le bureau local des poids et mesures pour plus d'informations.

### 5.3 Fermeture

Un interrupteur LFT sous le cache de l'interrupteur est utilisé pour sécuriser les paramètres du menu. Quand on appuie sur l'interrupteur, les paramètres du menu s'affichent mais ne peuvent pas être modifiés. Le cache de l'interrupteur est situé en bas de la balance. Retirez le couvercle avec un tournevis, puis appuyez sur le commutateur lorsque la balance est allumée. Après cela, vous verrez "LFE .00" affiché sur l'écran.



Cache de l'interrupteur LFT



Interrupteur LFT

Après la vérification de la balance, elle doit être fermée par un agent du bureau des poids et mesures pour empêcher un accès non détecté aux paramètres conformes à la loi. Se référer aux illustrations sous la fermeture.



Fermeture

## 6. ENTRETIEN

### 6.1 Nettoyage



**AVERTISSEMENT:** Risque de choc électrique. Déconnectez l'appareil de l'alimentation électrique avant nettoyage.

Assurez-vous qu'aucun liquide ne pénètre à l'intérieur de l'instrument.



**Attention:** N'utilisez pas de solvants, de forts produits chimiques, de l'ammoniac ou de produits de nettoyage abrasifs.

Le boîtier peut être nettoyé avec un chiffon imbibé d'un détergent doux si nécessaire.

### 6.2 Dépannage

Le tableau ci-dessous répertorie les problèmes communs et les causes et les remèdes possibles. Si le problème persiste, contacter Ohaus ou votre revendeur agréé.

TABLEAU 5-1. DÉPANNAGE.

Symptôme	Cause possible	Solution Possible
Err E	Erreur d'étalonnage: environnement instable ou poids de calibrage incorrect	Vérifiez l'environnement et les poids d'étalonnage, puis recalibrer.
Err 8.1	Le poids sur la plate-forme à l'allumage est supérieur à la plage zéro.	Vider la plateforme de la balance.
Err 8.2	Le poids sur la plate-forme à l'allumage est inférieur à la plage zéro.	La plateforme de la balance est peut-être manquante.
Err 8.3	Surcharge (poids supérieur à la capacité maximale)	Retirer le poids de la balance.
Err 8.4	Sous-charge (pan enlevée)	Remettre le plateau de la balance.
Err 8.5	Poids à vide hors norme	La valeur de tarage est supérieure à son maximum.
Err 9.5	Erreur de données internes ou erreur de données d'étalonnage	Contactez-Ohaus ou votre distributeur agréé.
Err 13	Echec de l'écriture EEPROM	Contactez-Ohaus ou votre distributeur agréé.
Lo.bAt	Batterie très faible	Changez les piles; Chargez avec une batterie rechargeable.
--n0--	Action interdite	/
-----	Occupé	/

## 6.3 Service d'information

Si la section relative aux dépannages ne résout pas ou ne décrit pas votre problème, contactez votre agent de service agréé Ohaus. Pour obtenir le service d'assistance ou l'assistance technique aux États-Unis, appelez le numéro gratuit 1-800-672-7722, service 7852 entre 08h00 et 17h00 (EST). Un spécialiste des produits Ohaus sera disponible pour vous fournir une assistance du lundi au vendredi. En dehors des États-Unis, du Canada et de Puerto Rico, merci de visiter notre site Web : [www.ohaus.com](http://www.ohaus.com) pour localiser le bureau Ohaus le plus proche.

## 7. DONNÉES TECHNIQUES

Caractéristiques de l'appareil:

Utilisation en intérieur

Altitude : 2000m

Température de fonctionnement : 0 à 40 ° C

Humidité : Humidité relative maximale de 80% pour des températures allant jusqu'à 31 ° C diminuant linéairement à 50% d'humidité relative à 40 ° C.

Alimentation électrique: 12VDC, 0,5A. A utiliser avec une alimentation électrique certifiée et approuvée, laquelle doit avoir un circuit de sortie à énergie limitée.

Fluctuations de tension : Alimentation sur secteur subissant des fluctuations de tension inférieures à  $\pm 10\%$  de la tension nominale.

Catégorie de surtension (catégorie d'installation) : II

Degré de pollution : 2

## 7.1 Caractéristiques Techniques

TABLEAU 7-1. Caractéristiques Techniques

Modèle*	V12P3	V12P6	V12P15	V12P30
Capacité x Lisibilité (Max x d non approuvé)	6 lb x 0,001 lb 3 kg x 0,0005 kg 3,000 g x 0,5 g 96 oz x 0,02 oz 6 lb x 0,02 oz	15 lb x 0,002 lb 6 kg x 0,01 kg 6,000 g x 1 g 240 oz x 0,5 oz 15 lb x 0,5 oz	30 lb x 0,005 lb 15 kg x 0,002 kg 15,000 g x 2 g 480 oz x 0,1 oz 30 lb x 0,1 oz	60 lb x 0,01 lb 30 kg x 0,005 kg 30,000 g x 5 g 960 oz x 0,2 oz 60 lb x 0,2 oz
Résolution d'affichage maximale	1 : 6000	1 : 6000	1 : 7500	1 : 6000
Unités de pesée	g, kg, lb, oz, lb:oz			
Mode d'Utilisation	Pesée			
Gamme de la Tare	Soustractive jusqu'à Capacité Max			
Temps de stabilisation	≤ 2 secondes			
Alimentation électrique **	4 piles alcalines type D, adaptateur secteur ou une piles rechargeables			
Étalonnage	Numérique avec un poids externe			
Autonomie de la batterie	1500 heures avec rétro-éclairage éteint			
Construction	Boîtier en plastique ABS, plateau en acier inoxydable			
surcharge en sécurité	150% de la capacité			
Plage de température spécifiée	32 à 104 ° F / 0 à 40 ° C			
Type d'affichage	Affichage simple, LCD avec rétro-éclairage blanc			
Taille de l'écran	1,0 pouces / 25,4 mm			
Taille Pan	9,65 x 7,48 pouces / 245 x 190 mm			
Dimensions de la balance (W x D x H)	10,2 x 10,6 x 4,8 pouces / 260 x 270 x 122 mm			
Dimensions d'expédition (W x D x H)	12,6 x 12,6 x 6,9 pce / X319 319 x175 mm			
Poids net	5,5 lb / 2,5 kg			
Poids d'expédition	6,8 lb / 3,1 kg			

\* Certaines régions sont disponibles avec les modèles V12PRx, qui sont standard avec un adaptateur secteur et une batterie rechargeable.

\*\* La disponibilité dépend de la région.

TABLEAU 7-2. Caractéristiques Techniques

Modèle	V12P2T	V12P5T	V12P10T	V12P20T
Capacité × Lisibilité (Max x d non approuvé)	5 lb x 0,0005 lb 2 kg x 0,0002 kg 2,000 g x 0,2 g 80 oz x 0,01 oz	10 lb x 0,001 lb 5 kg x 0,0005 kg 5,000 g x 0,5 g 160 oz x 0,02 oz	20 lb x 0,002 lb 10 kg x 0,001 kg 10,000 g x 1 g 320 oz x 0,05 oz	50 lb x 0,005 lb 20 kg x 0,002 kg 20,000 g x 2 g 800 oz x 0,1 oz
Résolution d'affichage maximale	1 : 10 000	1 : 10 000	1 : 10 000	1 : 10 000
Capacité certifiée × Lisibilité (Max approuvé x e)	5 lb x 0,002 lb 2 kg x 0,001 g 2,000 g x 1 g 80 oz x 0,05 oz	10 lb x 0,005 lb 5 kg x 0,002 kg 5,000 g x 2 g 160 oz x 0,1 oz	20 lb x 0,01 lb 10 kg x 0,005 kg 10,000 g x 5 g 320 oz x 0,2 oz	50 lb x 0,02 lb 20 kg x 0,01 kg 20,000 g x 10 g 800 oz x 0,5 oz
Résolution approuvée	1 : 2000	1 : 2500	1 : 2000	1 : 2000
Classe	Classe III NTEP / Mesures Canada			
Unités de pesage	g, kg, lb, oz			
Mode d'Utilisation	Pesée			
Gamme de Tare	Soustractive			
Temps de stabilisation	≤ 2 secondes			
Alimentation électrique	4 x piles alcalines (non incluses) ou un adaptateur (inclus)			
Étalonnage	Numérique avec un poids externe			
Autonomie de la batterie	750 heures			
Construction	Boîtier en plastique ABS, plateau en acier inoxydable, couverture en			
surcharge de sécurité	150% de la capacité			
Communication	RS232 en option			
Plage de température spécifiée	32 à 104 ° F / 0 à 40 ° C			
Type d'affichage	LCD (avant et arrière de la balance) avec rétro-éclairage blanc			
Taille de l'écran	1,0 in / 25,4mm			
Taille Pan	9,65 x 7,48 pce / 245 x 190 mm			
Dimensions de la balance (W x D x H)	10,2 x 10,6 x 4,8 pce / 260 x 270 x 122 mm			
Dimensions d'expédition	12,6 x 12,6 x 6,9 pce / 319 x 319 x 175 mm			
Poids net	5,5 lb / 2,5 kg			
Poids d'expédition	6,8 lb / 3,1 kg			




TABLEAU 7-3. Caractéristiques Techniques

<b>Modèle</b>	<b>V12P3T</b>	<b>V12P6T</b>	<b>V12P15T</b>	<b>V12P30T</b>
Capacité × Lisibilité (Max xd non approuvé)	3 kg x 0,0002 kg 3000 g x 0,2 g	6 kg x 0,0005 kg 6000 g x 0,5 g	15 kg x 0,001 kg 15000 g x 1 g	30 kg x 0,002 kg 30000 g x 2 g
Résolution affichée maximale (d)	1 : 15 000	1 : 12 000	1 : 15 000	1 : 15 000
<b>Modèle</b>	V12P3T-M	V12P6T-M	V12P15T-M	V12P30T-M
Capacité × Lisibilité (Max approuvé)	3 kg x 0,001 kg 3000 g x 1 g	6 kg x 0,002 kg 6000 g x 2 g	15 kg x 0,005 kg 15000 g x 5 g	30 kg x 0,01 kg 30000 g x 10 g
Résolution approuvée	1 : 3000	1 : 3000	1 : 3000	1 : 3000
Unités de mesure	g, kg			
Mode d'Utilisation	Pesée			
Gamme de Tare	Soustractive jusqu'à capacité Max			
Temps de stabilisation	≤ 2 secondes			
Alimentation électrique	4 x piles alcalines (non incluses) ou un adaptateur (en option), ou batterie rechargeable (en option)			
Étalonnage	Numérique avec un poids externe			
Autonomie de la batterie	750 heures			
Construction	Boîtier en plastique ABS, plateau en acier inoxydable			
surcharge en sécurité	150% de la capacité			
Communication	RS232 en option			
Plage de température spécifiée	0 à 40 ° C			
Type d'affichage	LCD (avant et arrière de la balance) avec rétro-éclairage blanc			
Taille de l'écran	25,4 mm			
Taille Pan	245 x 190 mm			
Dimensions de la balance (W x D x H)	260 x 270 x 122 mm			
Dimensions d'expédition (W x D x H)	319 X319 x175 mm			
Poids net	2,5 kg			
Poids d'expédition	3,1 kg			



## 7.2 CONFORMITÉ

La conformité aux normes suivantes est indiquée par le symbole correspondant sur le produit.

Symbole	Norme
	Ce produit est conforme aux normes harmonisées correspondantes des Directives de l'UE 2011/65/EU (RoHS), 2014/30/EU (EMC), 2014/35/EU (LVD) et 2014/31/EU (NAWI). La Déclaration de Conformité de l'UE est disponible en ligne sur <a href="http://www.ohaus.com/ce">www.ohaus.com/ce</a> .
	Ce produit est conforme aux Directives de l'UE 2012/19/EU (WEEE) et 2006/66/EC (Batteries). Merci de disposer de ce produit conformément à la réglementation locale au point de collecte spécifié pour les équipements électriques et électroniques. Pour obtenir des instructions d'élimination en Europe, consultez <a href="http://www.ohaus.com/weee">www.ohaus.com/weee</a> .
	EN 61326-1

### Note importante pour V12P...-M instruments de mesure vérifiés dans l'UE.

Lorsque l'instrument est utilisé dans le commerce ou une application régi par la loi, il doit être mis en place, vérifié et scellé conformément à la réglementation poids et mesures. Il incombe à l'acheteur de veiller à ce que toutes les conditions légales soient remplies.

Les instruments de pesage vérifiés sur le lieu de fabrication portent la mention métrologique supplémentaire suivante sur la plaque signalétique.

  1259

Les instruments de pesage à vérifier en deux étapes ne portent pas de marquage métrologique supplémentaire sur la plaque signalétique. La deuxième étape de l'évaluation de la conformité doit être effectuée par les poids applicables et les autorités de mesures.

Si les réglementations nationales limitent la durée de validité de la vérification, l'utilisateur de l'instrument de pesage doit respecter strictement la période de re-vérification et informer l'autorité des poids et mesures.

Comme les exigences de vérification varient selon les juridictions, l'acheteur doit communiquer avec le bureau des poids et mesures locales si elles ne connaissent pas les exigences.

### Déclaration de Conformité Canada ISED :

Cet appareil numérique de classe B est conforme à la norme NMB-003 au Canada.

### Enregistrement ISO 9001

Le système de gestion régissant la production de ce produit est certifié ISO 9001.

## **GARANTIE LIMITÉE**

Les produits Ohaus sont garantis contre les défaillances dans les matériels et la fabrication à partir de la date de livraison jusqu'à la couverture entière de la période de garantie. Pendant la période de garantie, Ohaus réparera gratuitement, selon son appréciation ou remplacera tous les composants défectueux, à condition que le produit soit retourné à Ohaus et le fret prépayé.

La présente garantie devient nulle si le produit est endommagé par accident ou par mauvaise utilisation, est exposé aux matériels radioactifs ou corrosifs, comporte des corps étrangers ou suite à une modification ou une réparation par des personnes non autorisées. Outre le renvoi de la carte d'enregistrement de garantie, la période de garantie commence à la date d'expédition au revendeur autorisé. Aucune autre garantie expresse ou implicite n'est offerte par Ohaus Corporation. Ohaus Corporation décline sa responsabilité pour des dommages consécutifs.

Etant donné que la législation de garantie varie selon les états et les pays, veuillez contacter Ohaus ou votre distributeur local Ohaus pour des informations supplémentaires.

## Inhaltsverzeichnis

1. EINLEITUNG .....	2
1.1 SICHERHEITSINFORMATIONEN.....	2
1.2 Verwendungszweck.....	3
1.3 Steuerung .....	4
1.4 Bildschirm .....	4
2. AUFBAU .....	5
2.1 Standort .....	5
2.2 Stromleistung.....	5
2.3 Wiederaufladbare Akkuleistung .....	5
2.4 Erstkalibrierung.....	6
3. BETRIEB .....	6
3.1 Ein-/Ausschalten der Skala.....	6
3.2 Wiegen .....	6
4. EINSTELLUNGEN .....	7
4.1 Kalibrieremenü .....	7
4.2 Einrichtungsmenü .....	8
5. GEWERBERECHTLICH ZUGELASSEN .....	10
5.1 Einstellungen .....	10
5.2 Prüfung.....	10
5.3 Versiegelung.....	10
6. WARTUNG .....	12
6.1 Reinigung .....	12
6.2 Fehlerbehebung.....	12
6.3 Serviceinformationen .....	13
7. TECHNISCHE DATEN .....	13
7.1 Spezifikationen .....	14
7.2 Einhaltung.....	17

# 1. EINLEITUNG

Dieses Handbuch enthält Installations-, Bedienungs- und Wartungsanweisungen für die Waagen der Ohaus Valor™ 1000 Serie. Bitte lesen Sie das Handbuch vollständig durch, bevor Sie die Waage in Betrieb nehmen.

## 1.1 SICHERHEITSINFORMATIONEN

### Definition von Signalwarnungen und Symbolen

Sicherheitshinweise sind mit Signalwörtern und Warnsymbolen gekennzeichnet. Diese zeigen Sicherheitsprobleme und Warnhinweise an. Die Nichtbeachtung der Sicherheitshinweise kann zu Verletzungen, Schäden am Gerät, Fehlfunktionen und falschen Ergebnissen führen.

- WARNUNG** Vor einer gefährliche Situation mit mittlerem Risiko, die zu schweren Verletzungen oder zum Tod führen kann, wenn sie nicht vermieden wird.
- VORSICHT** Vor einer gefährliche Situation mit geringem Risiko, die zu einer Beschädigung des Geräts oder des Eigentums oder zu Datenverlust oder mittleren Verletzungen führt, wenn sie nicht vermieden wird.
- ACHTUNG** Wichtige Informationen über das Produkt. Kann zu bei Nichtbeachtung zu Sachschäden führen
- HINWEIS** Nützliche Informationen über das Produkt.

### Warnsymbole



Allgemeine  
Gefährdung



Explosionsgefahr



Gefahr  
durch  
Stromschlag

### Sicherheitshinweise



**WARNUNG:** Lesen Sie alle Sicherheitshinweise, bevor Sie dieses Gerät installieren, anschließen oder warten. Die Nichtbeachtung dieser Warnhinweise kann zu Personen- und/oder Sachschäden führen. Bewahren Sie alle Anweisungen zum späteren Nachschlagen auf.

- Vergewissern Sie sich vor dem Anschließen des Netzteils, dass der Eingangsspannungsbereich und der Steckertyp des Netzteils mit dem lokalen Netzteil kompatibel sind.
- Stellen Sie das Gerät nicht so auf, dass der Stromanschluss schwer zu erreichen ist.
- Achten Sie darauf, dass das Netzkabel kein Hindernis oder eine Stolpergefahr darstellt.
- Betreiben Sie das Gerät nur unter den in dieser Anleitung angegebenen Umgebungsbedingungen.
- Das Gerät ist nur für den Innenbereich bestimmt.
- Betreiben Sie das Gerät nicht in nassen, gefährlichen oder instabilen Umgebungen.

- Lassen Sie keine Flüssigkeiten in das Gerät eindringen.
- Laden Sie das Gerät nicht über seine Nennkapazität hinaus auf.
- Lassen Sie keine Lasten auf die Plattform fallen.
- Stellen Sie das Gerät nicht verkehrt herum auf die Plattform.
- Verwenden Sie nur zugelassenes Zubehör und Peripheriegeräte.
- Trennen Sie das Gerät zur Reinigung vom Stromnetz.
- Die Wartung darf nur von autorisiertem Personal durchgeführt werden.



**WARNUNG:** Arbeiten Sie niemals in einer explosionsgefährdeten Umgebung! Das Gehäuse des Gerätes ist nicht gasdicht. (Explosionsgefahr durch Funkenbildung, Korrosion durch Eindringen von Gasen).



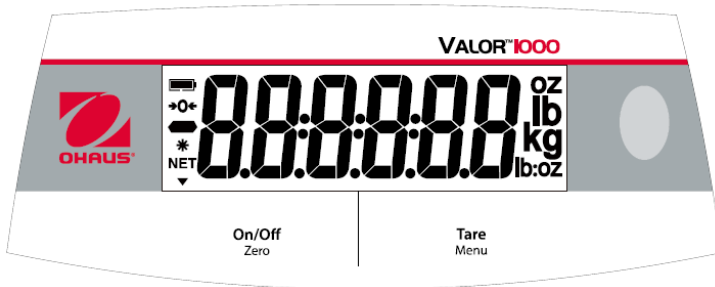
**VORSICHT:** Der Akku darf nur von einem autorisierten Ohaus-Kundendienst ersetzt werden. Explosionsgefahr besteht, wenn der Akku durch einen falschen Typ ersetzt oder nicht richtig angeschlossen wird. Entsorgen Sie den wiederaufladbaren Akku gemäß den örtlichen Gesetzen und Vorschriften.

## 1.2 Verwendungszweck

Dieses Gerät ist für den Einsatz in Unternehmen und der Leichtindustrie bestimmt. Es darf nur zur Messung der in dieser Betriebsanleitung beschriebenen Zwecke verwendet werden. Jede andere Art der Nutzung und des Betriebs außerhalb der Grenzen der technischen Spezifikationen ohne schriftliche Zustimmung von OHAUS gilt als nicht bestimmungsgemäß. Dieses Gerät entspricht den geltenden Industriestandards und den anerkannten Sicherheitsvorschriften, kann jedoch eine Gefahr im Gebrauch darstellen.

Wird das Gerät nicht gemäß dieser Betriebsanleitung betrieben, kann der durch das Gerät gewährleistete Schutz beeinträchtigt werden.

## 1.3 Steuerung



Taste	Funktionen
<b>On/Off</b> Zero	Drücken (wenn ausgeschaltet): Schaltet die Waage ein. Kurzes drücken (wenn eingeschaltet): Setzt die Anzeige auf Null Langes drücken (wenn eingeschaltet): Schaltet die Waage aus Drücken (im Menü): Bestätigung (Eingabe)
<b>Tare</b> Menu	Kurzes drücken: Eingabe / Löschen eines Tara-Wertes Langes drücken: Öffnet das Benutzermenü Drücken (im Menü): Ändert die Menüauswahl (Vorwärts)

### Hinweis:

Kurz drücken: Drücken Sie weniger als 3 Sekunden.

Langer Druck: Halten Sie die Taste länger als 3 Sekunden gedrückt.

## 1.4 Bildschirm



Artikel	Beschreibung
1	Batterieladesymbol
2	Mittelpunkt des Nullsymbols
3	Negatives Symbol
4	Stabiles Gewichtssymbol
5	NET-Symbol

## 2. AUFBAU

### 2.1 Standort

Verwenden Sie die Waage auf einer festen, ebenen Oberfläche. Vermeiden Sie Orte mit übermäßigem Luftstrom, Vibrationen, Wärmequellen oder schnellen Temperaturänderungen. Stellen Sie die Nivellierfüße so ein, dass die Blase im Kreis zentriert ist.

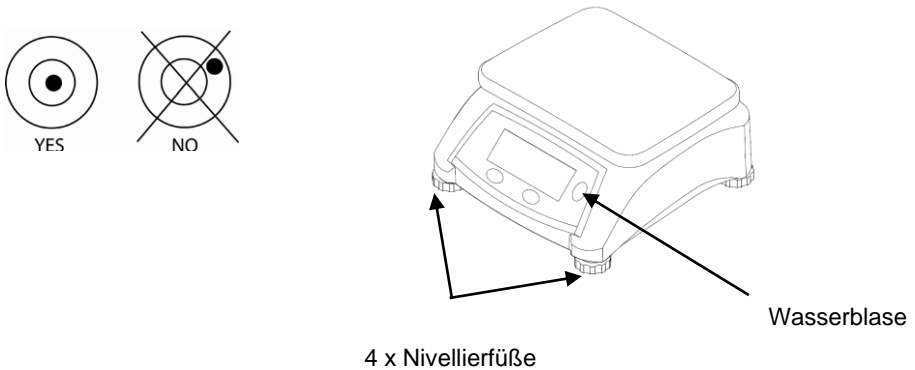


Abbildung 2-1. Nivellierung der Waage.

### 2.2 Stromleistung

Schließen Sie das Netzteil an das Stromnetz an. Verbinden Sie den Stecker mit der DC-Buchse an der Unterseite der Skala. Die Waage kann mit dem an das Stromnetz angeschlossenen Netzteil oder mit 4 Alkalibatterien betrieben werden.

**Hinweis:** Das Netzteil kann je nach Modell optional oder im Lieferumfang der Waage enthalten sein.

### 2.3 Wiederaufladbare Akkuleistung

Lassen Sie den Akku 12 Stunden lang aufladen, bevor Sie die Waage bei Akkubetrieb benutzen. Das Gerät kann während des Ladevorgangs betrieben werden, und der Akku ist gegen Überladung geschützt. Für eine maximale Betriebszeit sollte der Akku bei Raumtemperatur geladen werden.

**Hinweis:** Die Verfügbarkeit ist abhängig von der Region als Zubehör.

**ACHTUNG:** Laden Sie den Akku nur, wenn die Umgebungstemperatur zwischen 0 und 140 °F / 0 und 40 °C liegt.

## 2.4 Erstkalibrierung

Bei der ersten Inbetriebnahme der Waage wird eine Spanne-Kalibrierung empfohlen, um genaue Wäageergebnisse zu gewährleisten. Bevor Sie die Kalibrierung durchführen, vergewissern Sie sich, dass Sie das entsprechende Kalibriergewicht haben. Sie können sich auch an einen OHAUS-Waagenhändler wenden, um weitere Informationen zu erhalten.

Siehe Abschnitt 4.1 für die Verfahren zur Kalibrierung der Spanne.

Erforderliche Kalibriermasse für den Messbereich	
Max	Masse
2000 g; 3000 g	2 kg / 6 Pfd.
5000 g; 6000 g	5 kg / 15 Pfd.
10000 g; 15000 g	10 kg / 30 Pfd.
20000 g; 30000 g	20 kg / 60 Pfd.

## 3. BETRIEB

### 3.1 Ein-/Ausschalten der Skala

Drücken Sie **An/Aus**, um die Skala einzuschalten. Die Waage findet und setzt den Nullgewichtspunkt automatisch, nachdem sie die Softwareversion angezeigt hat.

Drücken Sie im Wägemodus kurz die Taste **An/Aus** für mehr als 3 Sekunden, um die Waage auszuschalten.

### 3.2 Wiegen

Sobald die Waage ein stabiles Nullgewicht hat und das Eigengewicht einer Verpackung oder eines Behälters erfasst wurde, legen Sie das zu wiegende Produkt auf die Plattform - die Anzeige zeigt das Gewicht des Produkts in der gewählten Maßeinheit an.



## 4. EINSTELLUNGEN

Die Waage ermöglicht es dem Benutzer, verschiedene Einstellungen wie Kalibrierung, Hintergrundbeleuchtung, Gerätewechsel und automatische Abschaltung vorzunehmen. Halten Sie die Taste **Menu** länger als 3 Sekunden gedrückt, bis Sie auf dem Display „C.A.L.“ sehen. Lassen Sie die Taste **Menu** los, nachdem Sie das Benutzermenü aufgerufen haben.

### 4.1 Kalibriermenü

Dieses Menü aufrufen, um Kalibrierungen durchzuführen.

Sobald die Waage „C.A.L.“ anzeigt, drücken Sie **An/Aus**, um das Kalibriermenü aufzurufen und entweder eine Spanne- oder Linearitätskalibrierung durchzuführen. Für den eichpflichtigen Verkehr kann dies in Übereinstimmung mit den örtlichen Gewichts- und Maßvorschriften erfolgen. Wenden Sie sich für weitere Informationen an Ihren Händler vor Ort.

Drücken Sie **Tara**, um die Kalibrierung zu beenden und zum Einstellungsmenü zu gelangen.

**Hinweis:** In einigen Regionen oder im genehmigten Modus ist die Kalibrierung nicht zulässig.

#### SPANNE [SPRN]

Leitet eine Spannkabrierung mit einem Spannkabriergewicht ein, das der vollen Kapazität der Waage entspricht. Drücken Sie **An/Aus**, um die SPAN-Kalibrierroutine aufzurufen, oder drücken Sie **Tara**, um mit einer Lin-Kalibrierung fortzufahren.

Wenn 0,000 kg angezeigt werden, drücken Sie kurz **An/Aus**, um das Nullgewicht zu erfassen, wenn die Plattform leer ist.

Wenn die volle Kapazität der Waage angezeigt wird, legen Sie ein Gewicht auf, das der Kapazität der Waage entspricht, und drücken Sie kurz **An/Aus**.

Wenn die Waage "CAL - E", anzeigt, ist eines der zur Kalibrierung verwendeten Gewichte falsch und die Waage hat die Kalibrierung nicht abgeschlossen.

Um die Kalibrierung an beliebiger Stelle zu beenden, drücken Sie kurz **Tara/Menü**.

#### Lin [LIN]

Leitet eine Linearitätskalibrierung ein (Nullpunkt, Mittelpunkt und Spanne).

Wenn Sie eine Linearitätskalibrierung durchführen, fordert Sie die Waage auf, ein Nullgewicht einzugeben - die Plattform ohne etwas darauf und die Gewichtsanzeige bei null -, ein Mittelpunktgewicht von 50% des Spanggewichts und ein Spannweitengewicht von 50% des Spanggewichts.

Wenn 0,000 kg angezeigt werden, drücken Sie kurz **An/Aus**, um das Nullgewicht zu erfassen, wenn die Plattform leer ist.

Wenn die halbe Kapazität der Waage angezeigt wird, legen Sie ein Gewicht von 50% der Kapazität der Waage auf die Waagschale und drücken Sie kurz **An/Aus**.

Wenn die volle Kapazität der Waage angezeigt wird, legen Sie ein Gewicht auf, das der Kapazität der Waage entspricht, und drücken Sie kurz **An/Aus**.

Wenn die Waage "**CR/L - E**", anzeigt, ist eines der zur Kalibrierung verwendeten Gewichte falsch und die Waage hat die Kalibrierung nicht abgeschlossen. Um die Kalibrierung an beliebiger Stelle zu beenden, drücken Sie kurz **Tara/Menü**.

### Ende [**E**nd]

Drücken Sie **An/Aus**, um zum Setup-Menü zu gelangen, oder drücken Sie **Tara**, um zur Spanne-Kalibrierung zurückzukehren.

**Hinweis:** Um eine Kalibrierung jederzeit zu beenden, halten Sie die **An/Aus**-Taste gedrückt, bis die Waage abschaltet.

## 4.2 Einrichtungsmenü

Dieses Menü aufrufen, um die Waagenparameter einzustellen.

Licht:	Aus, An, <b>Auto</b>
Einheit:	<b>kg</b> , g, Pfd., Unze, Pfd.:Unze
Auto ausschalten:	<b>A00</b> , A01, A05, A10, Aus
Ende	Menü beenden

**Hinweis:** Die Einheiten variieren je nach Region oder Modell.

### Licht [**L**. **I**.**S**.**H**.**E**]

Hiermit wird die Funktion der Hintergrundbeleuchtung des Displays eingestellt.

**EIN** = immer eingeschaltet

**AUS** = immer aus

**AUTO** = Schaltet sich ein, wenn eine Taste gedrückt wird oder sich das angezeigte Gewicht ändert. Alternativ können Sie die Hintergrundbeleuchtung ausschalten, wenn sich das angezeigte Gewicht für mehr als 10 Sekunden nicht ändert.

### Einheit [**U**.**N**. **E**]

Die Valor 1000-Waage ermöglicht den gleichzeitigen Einsatz einer Waage. Die Einheiten können in dieser Menüeinstellung geändert werden und erscheinen, wenn Sie das Menü verlassen.

Drücken Sie **An/Aus**, um in das Untermenü Unit zu gelangen. Es wird "kg" für Kilogramm angezeigt. Drücken Sie **An/Aus**, um Kilogramm als Wägeeinheit zu übernehmen und das Untermenü Einheit zu verlassen, oder drücken Sie **Tara**, um zur nächsten Einheit zu gelangen.

### Automatisches Abschaltmenü [**A**. - **O**.**F**.**F**]

Stellen Sie die automatische Abschaltzeit für die Waage ein.

**A00** = schaltet sich nach 5 Minuten ohne Aktivität nur mit Batteriebetrieb aus; bei eingeschaltetem Netzteil deaktiviert

**A01** = schaltet sich nach 1 Minute ohne Aktivität aus.

**A05** = schaltet sich nach 5 Minuten ohne Aktivität aus.

**A10** = schaltet sich nach 10 Minuten ohne Aktivität aus.

**Aus** = deaktiviert

**Tonschlüssel [bP.fEz]**

EIN = schaltet den Piepton ein, wenn Sie eine beliebige Taste drücken.

AUS = schaltet den Piepton aus, wenn Sie eine beliebige Taste drücken.

**Einstellung beenden [E.r.d]**

Drücken Sie die **Tara/Menü**-Taste, um zum **C.R.L** -Menü zurückzukehren, oder drücken Sie die **An/Aus**-Taste, um den Normalbetrieb zu verlassen.

## 5. GEWERBERECHTLICH ZUGELASSEN

Wird die Waage im Handel oder für gesetzlich geregelte Anwendungen eingesetzt, muss sie nach den lokalen Vorschriften für Gewichte und Maße eingerichtet, geprüft und versiegelt werden. Es liegt in der Verantwortung des Käufers, dafür zu sorgen, dass alle relevanten gesetzlichen Anforderungen erfüllt werden. Da die Anforderungen je nach Land unterschiedlich sind, wird dem Käufer empfohlen, sich an die lokale Prüfbehörde zu wenden, um Anweisungen zur Nutzung der Waage zu erhalten.

### 5.1 Einstellungen

Führen Sie vor der Prüfung und Versiegelung die folgenden Schritte durch:

1. Vergewissern Sie sich, dass die gewählte Maßeinheit nach den örtlichen Vorschriften für Gewichte und Maße zulässig ist.
2. Führen Sie eine Kalibrierung durch, wie in Abschnitt 4.1 beschrieben.
3. Stellen Sie die Position des Sicherheitsschalters wie in Abschnitt 5.3 gezeigt ein.

### 5.2 Prüfung

Ein amtlicher Sachverständiger für Gewichte und Maße muss die Prüfung durchführen. Kontaktieren Sie das zuständige Amt für Gewichte und Maße, um weitere Informationen zu erhalten.

### 5.3 Versiegelung

Zur Sicherung der Menüeinstellungen wird ein LFT-Schalter unter der Abdeckung verwendet. Wenn der Schalter gedrückt wird, können die Menüeinstellungen angesehen, aber nicht geändert werden. Diese Abdeckung befindet sich am unteren Ende der Skala. Entfernen Sie den Verschlussdeckel mit einem Schraubendreher und drücken Sie den Schalter, wenn die Waage eingeschaltet ist. Danach sehen Sie, dass "Lft.ON" auf dem Bildschirm angezeigt wird.



LFT-Schalterabdeckung



LFT-Schalter

Nach der Prüfung muss die Waage mit den amtlichen Gewichten und Maßen versiegelt werden, um unbemerkten Zugriff auf die gesetzlich kontrollierten Einstellungen zu verhindern. Die Dichtung ist in den folgenden Abbildungen dargestellt



Versiegelung

## 6. WARTUNG

### 6.1 Reinigung



**ACHTUNG:** Gefahr durch Stromschlag. Trennen Sie das Gerät vom Stromnetz. Stromversorgung vor der Reinigung. Stellen Sie sicher, dass keine Flüssigkeit in das Innere des Gerätes gelangt.



**Warnung:** Verwenden Sie keine Lösungsmittel, aggressive Chemikalien, Ammoniak oder abrasive Reinigungsmittel.

Das Gehäuse kann bei Bedarf mit einem mit einem milden Reinigungsmittel befeuchteten Tuch gereinigt werden.

### 6.2 Fehlerbehebung

Die folgende Tabelle listet häufige Probleme sowie mögliche Ursachen und Abhilfemaßnahmen auf. Wenn das Problem weiterhin besteht, wenden Sie sich an OHAUS oder Ihren autorisierten Händler.

TABELLE 5-1. FEHLERBEHEBUNG.

Symptom	Mögliche Ursache	Mögliche Problemlösung
ERR E	Kalibrierfehler: instabile Umgebung oder falsches Kalibriergewicht	Umgebungsbedingungen und Kalibriergewichte prüfen und neu kalibrieren.
Err 8.1	Das Einschaltgewicht auf der Plattform überschreitet den Nullbereich.	Waagschale löschen.
Err 8.2	Das Einschaltgewicht auf der Plattform liegt unterhalb des Nullbereichs.	Überprüfen Sie, ob die Schale fehlt.
Err 8.3	Überlastung (Gewicht überschreitet die Nennkapazität)	Entfernen Sie das Gewicht von der Schale.
Err 8.4	Unter Last (Schale entfernt)	Setzen Sie die Schale wieder ein.
Err 8.5	Taragewicht außerhalb des Bereichs	Der Tarawert überschreitet das Maximum.
Err 9.5	Interner Datenfehler oder Kalibrierdatenfehler	Wenden Sie sich an OHAUS oder Ihren autorisierten Händler, um Hilfe zu erhalten.
Err 13	Fehler beim Schreiben ins EEPROM	Wenden Sie sich an OHAUS oder Ihren autorisierten Händler, um Hilfe zu erhalten.
Lo.BAt	Akku sehr schwach	Ersetzen Sie die Batterien; Laden Sie den aufladbaren Akku auf.
--00--	Aktion nicht erlaubt	/
-----	In Bearbeitung	/

## 6.3 Serviceinformationen

Wenn der Abschnitt zur Fehlerbehebung Ihr Problem nicht löst oder beschreibt, wenden Sie sich an Ihren autorisierten OHAUS-Kundendienst. Für Serviceunterstützung oder technischen Support in den Vereinigten Staaten rufen Sie bitte zwischen 8:00 und 17:00 Uhr EST unter der gebührenfreien Nummer 1-800-672-7722 ext. 7852 an. Ein OHAUS-Produktservice-Spezialist wird von Montag bis Freitag für Sie da sein. Außerhalb der Vereinigten Staaten, Kanadas und Puerto Ricos besuchen Sie bitte unsere Website [www.ohaus.com](http://www.ohaus.com), um das OHAUS-Büro in Ihrer Nähe zu finden.

## 7. TECHNISCHE DATEN

Gerätebewertungen:

Nur für den Innenbereich geeignet

Höhe: 2000m

Betriebstemperatur: 0 bis 40°C

Elektrische Versorgung: 12VDC, 0,5A. Zur Verwendung mit zertifizierter oder zugelassener Stromversorgung, die einen SELV- und einen begrenzten.

Elektrische Versorgung: 12VDC, 0,5A. (Zur Verwendung mit einer CSA-zertifizierten (oder gleichwertigen zugelassenen) Stromquelle, die eine begrenzte Energieleistung aufweisen muss.).

Spannungsschwankungen: Schwankungen der Netzspannung bis zu  $\pm 10\%$  der Nennspannung.

Überspannungskategorie (Installationskategorie): II

Verschmutzungsgrad: 2

## 7.1 Spezifikationen

TABELLE 7-1. Technische Daten

Modell*	V12P3	V12P6	V12P15	V12P30
Kapazität × Lesbarkeit (Max x d nicht genehmigt)	6 Pfd. x 0,001 Pfd. 3 kg x 0,0005 kg 3.000 g x 0,5 g 96 Unzen x 0,02 Unzen 6 Pfd. x 0,02 Unzen	15 Pfd. x 0,002 Pfd. 6 kg x 0,001 kg 6.000 g x 1 g 240 Unzen x 0,5 Unzen 15 Pfd. x 0,5 Unzen	30 Pfd. x 0,005 Pfd. 15 kg x 0,002 kg 15.000 g x 2 g 480 Unzen x 0,1 Unzen 30 Pfd. x 0,1 Unze	60 Pfd. x 0,01 Pfd. 30 kg x 0,005 kg 30.000 g x 5 g 960 Unzen x 0,2 Unzen 60 Pfd. x 0,2 Unzen
Maximale angezeigte Auflösung	1:6.000	1:6.000	1:7.500	1:6.000
Wiegeeinheiten	g, kg, Pfd., Unzen, Pfd. Unzen			
Anwendungsmodus	Wiegen			
Tara-Bereich	Bis zur Kapazität durch Subtraktion			
Stabilisierungszeit	≤2 Sekunden			
Leistungsbedarf**	4 x D-Zelle Alkalibatterie, Netzteil oder wiederaufladbare Batterie			
Kalibrierung	Digital mit externem Gewicht			
Typische Akkulaufzeit	1500 Stunden bei ausgeschalteter Hintergrundbeleuchtung			
Konstruktion	ABS-Kunststoffgehäuse, Edelstahlwanne			
Sichere Überlastung	150% der Kapazität			
Spez. Temperaturbereich	32 bis 104° F / 0 bis 40 °C			
Display-Typ	Einzelanzeige, LCD mit weißer Hintergrundbeleuchtung			
Display-Größe	1,0 Zoll / 25,4mm			
Schalengröße	9,65 x 7,48 in / 245 x 190 mm / 245 x 190 mm			
Abmessungen der Skala (B x T x H)	10,2 x 10,6 x 4,8 in / 260 x 270 x 122 mm			
Versandabmessungen (B x T x H)	12,6 x 12,6 x 6,9 in / 319 x 319 x 175 mm			
Nettogewicht	5,5 Pfd. / 2,5 kg			
Versandgewicht	6,8 Pfd. / 3,1kg			

\* Bestimmte Regionen sind mit V12PRx-Modellen erhältlich, die standardmäßig mit Netzteil und Akku geliefert werden.

\*\* Die Verfügbarkeit ist abhängig von der Region.



TABELLE 7-2. Technische Daten




Modell	V12P2T	V12P5T	V12P10T	V12P20T
Kapazität x Lesbarkeit	5 Pfd. x 0,0005 Pfd. 2 kg x 0,0002 kg 2.000 g x 0,2 g 80 Unzen x 0,01 Unzen	10 Pfd. x 0,001 Pfd. 5 kg x 0,0005 kg 5.000 g x 0,5 g 160 Unzen x 0,02 Unzen	20 Pfd. x 0,002 Pfd. 10 kg x 0,001 kg 10.000 g x 1 g 320 Unzen x 0,05 Unzen	50 Pfd. x 0,005 Pfd. 20 kg x 0,002 kg 20.000 g x 2 g 800 Unzen x 0,1 Unzen
(Max x d nicht genehmigt)	1:10.000	1:10.000	1:10.000	1:10.000
Maximale angezeigte Auflösung	5 Pfd. x 0,002 Pfd. 2 kg x 0,001 kg 2.000 g x 1 g 80 Unzen x 0,05 Unzen	10 Pfd. x 0,005 Pfd. 5 kg x 0,002 kg 5.000 g x 2 g 160 Unzen x 0,1 Unzen	20 Pfd. x 0,01 Pfd. 10 kg x 0,005 kg 10.000 g x 5 g 320 Unzen x 0,2 Unzen	50 Pfd. x 0,02 Pfd. 20 kg x 0,01 kg 20.000 g x 10 g 800 Unzen x 0,5 Unzen
Zertifizierte Kapazität x Lesbarkeit	1:2.000	1:2.500	1:2.000	1:2.000
(Max x e genehmigt)	Klasse III NTEP / Messung Kanada bis zu 2.500e			
Genehmigte Auflösung	g, kg, Pfd., Unzen			
Klasse	Wiegen			
Wiegeeinheiten	Bis zur Kapazität durch Subtraktion			
Anwendungsmodus	≤2 Sekunden			
Tara-Bereich	4 x Alkalibatterie (nicht im Lieferumfang enthalten) oder Netzteil (im Lieferumfang enthalten)			
Stabilisierungszeit	Digital mit externem Gewicht			
Leistungsbedarf	750 Stunden			
Kalibrierung	ABS-Kunststoffgehäuse, Edelstahlwanne, Innenabdeckung			
Typische Akkulaufzeit	150% der Kapazität			
Konstruktion	Optionale RS232			
Sichere Überlastung	32 bis 104° F / 0 bis 40 °C			
Spezifizierter Temperaturbereich	LCD (Vorder- und Rückseite der Skala) mit weißer Hintergrundbeleuchtung			
Lagerbedingungen	1.0 Zoll / 25,4mm			
Schalengröße	9.65 x 7.48 in / 245 x 190 mm / 245 x 190 mm			
Abmessungen der Skala (B x T x H)	10.2 x 10.6 x 4.8 in / 260 x 270 x 122 mm			
Versandabmessungen (B x T x H)	12.6 x 12.6 x 6.9 in / 319 x 319 x 175 mm			
Nettogewicht	5,5 Pfd. / 2,5 kg			
Versandgewicht	6,8 Pfd. / 3,1 kg			

TABELLE 7-3. Spezifikation

<b>Modell</b>	<b>V12P3T</b>	<b>V12P6T</b>	<b>V12P15T</b>	<b>V12P30T</b>
Kapazität × Lesbarkeit	3 kg x 0,0002 kg 3000 g x 0,2 g	6 kg x 0,0005 kg 6000 g x 0,5 g	15 kg x 0,001 kg 15000 g x 1 g	30 kg x 0,002 kg 30000 g x 2 g
(Max x d nicht genehmigt)	1:15.000	1:12.000	1:15.000	1:15.000
<b>Modell</b>	<b>V12P3T-M</b>	<b>V12P6T-M</b>	<b>V12P15T-M</b>	<b>V12P30T-M</b>
Kapazität × Lesbarkeit	3 kg x 0,001kg 3000 g x 1 g	6 kg x 0,002 kg 6000 g x 2 g	15 kg x 0,005 kg 15000 g x 5 g	30 kg x 0,01 kg 30000 g x 10 g
(Max x e genehmigt)	1:3.000	1:3.000	1:3.000	1:3.000
Genehmigte Auflösung	g, kg			
Wiegeeinheiten	Wiegen			
Anwendungsmodus	Bis zur Kapazität durch Subtraktion			
Tara-Bereich	≤2 Sekunden			
Stabilisierungszeit	4 x Alkalibatterie (im Lieferumfang enthalten), Netzteil (optional) oder wiederaufladbare Batterie (optional)			
Leistungsbedarf	Digital mit externem Gewicht			
Kalibrierung	750 Stunden			
Typische Akkulaufzeit	ABS-Kunststoffgehäuse, Edelstahlwanne			
Konstruktion	150% der Kapazität			
Sichere Überlastung	Optionale RS232			
Bestimmter Temperaturbereich	0 bis 40 °C			
Display-Typ	LCD (Vorder- und Rückseite der Skala) mit weißer Hintergrundbeleuchtung			
Display-Größe	25.4mm			
Schalengröße	245 x 190 mm			
Abmessungen der Skala (B x T x H)	260 x 270 x 122 mm			
Versandabmessungen (B x T x H)	319 x319 x175 mm			
Nettogewicht	2,5 kg			
Versandgewicht	3,1 kg			

## 7.2 Einhaltung

Die Einhaltung der folgenden Normen wird durch die entsprechende Kennzeichnung auf dem Produkt angezeigt.

Kennzeichnung	Norm
	Dieses Produkt entspricht den geltenden angepassten Normen der EU-Richtlinien 2011/65/EU (RoHS), 2014/30/EU (EMC), 2014/35/EU (LVD) und 2014/31/EU (NAWI). Die EU-Konformitätserklärung ist online verfügbar unter <a href="http://www.ohaus.com/ce">www.ohaus.com/ce</a> .
	Dieses Produkt entspricht den Richtlinien 2012/19/EU (WEEE) und 2006/66/EG (Batterien). Bitte entsorgen Sie dieses Produkt gemäß den örtlichen Vorschriften an der für Elektro- und Elektronikgeräte vorgesehenen Sammelstelle. Entsorgungshinweise in Europa finden Sie unter <a href="http://www.ohaus.com/weee">www.ohaus.com/weee</a> .
	EN 61326-1

### Wichtiger Hinweis für V12P....-M geprüfte Waagen in der EU

Wenn das Gerät im Handel oder in einer gesetzlich kontrollierten Anwendung verwendet wird, muss es in Übereinstimmung mit den örtlichen Vorschriften für Gewichte und Maße aufgestellt, geprüft und versiegelt werden. Es liegt in der Verantwortung des Käufers, dafür zu sorgen, dass alle relevanten gesetzlichen Anforderungen erfüllt werden.

Die am Herstellungsort geprüften Waagen tragen folgende Merkmale und zusätzliche metrologische Kennzeichnung auf dem Typenschild.



Zweistufig geprüfte Waagen haben keine zusätzliche metrologische Kennzeichnung auf dem Typenschild. Die zweite Stufe der Konformitätsbewertung muss von den zuständigen Behörden für Gewichte und Maße durchgeführt werden.

Wenn nationale Vorschriften die Gültigkeitsdauer der Prüfung begrenzen, muss der Benutzer der Waage den Zeitraum der Nacheichung strikt einhalten und die Prüfbehörden informieren.

Da die Prüfungsanforderungen je nach Land variieren, sollte sich der Käufer an sein lokales Prüfbüro wenden, wenn die Anforderungen nicht bekannt sind.

### ISED Canada Konformitätserklärung:

Dieses digitale Gerät der Klasse B entspricht der kanadischen ICES-003.

### ISO 9001 Registrierung

Das Managementsystem für die Herstellung dieses Produkts ist nach ISO 9001 zertifiziert.

## **EINGESCHRÄNKTE GARANTIE**

Für Ohaus-Produkte gilt eine Garantie für Material- und Verarbeitungsfehler ab dem Zeitpunkt der Lieferung für die Dauer der Garantiezeit. Während der Garantiezeit repariert Ohaus alle Komponenten, die sich als defekt erweisen, oder ersetzt diese kostenlos, sofern das Produkt frachtfrei an Ohaus zurückgesandt wird.

Diese Garantie gilt nicht, wenn das Produkt durch einen Unfall oder unsachgemäßen Gebrauch beschädigt wurde, radioaktiven oder korrosiven Materialien ausgesetzt wird, Fremdmaterial ins Innere des Produkts eindringt oder als das Ergebnis einer Wartung oder Modifizierung von Ohaus. Anstelle einer ordnungsgemäßen Rücksendung der Garantiekarte beginnt die Gewährleistungsfrist mit dem Datum des Versands an den Vertragshändler. Von der Ohaus Corporation wird keine andere ausdrückliche oder stillschweigende Garantie gewährt. Die Ohaus Corporation haftet nicht für Folgeschäden.

Da die Garantiebestimmungen von Bundesstaat zu Bundesstaat und von Land zu Land unterschiedlich sind, wenden Sie sich bitte an Ohaus oder Ihren lokalen Ohaus-Händler für weitere Details.

## Sommario

1. INTRODUZIONE .....	2
1.1 INFORMAZIONI DI SICUREZZA .....	2
1.2 Uso previsto .....	3
1.3 Controlli .....	4
1.4 Display .....	4
2. INSTALLAZIONE .....	5
2.1 Posizione .....	5
2.2 Alimentazione .....	5
2.3 Alimentazione con batteria ricaricabile .....	5
2.4 Calibrazione Iniziale .....	6
3. FUNZIONAMENTO .....	6
3.1 Accendere/Spengere la Bilancia .....	6
3.2 Pesatura .....	6
4. IMPOSTAZIONI .....	7
4.1 Menù di Calibrazione .....	7
4.2 Menù di Configurazione .....	8
5. LEGALE PER IL COMMERCIO .....	10
5.1 Impostazioni .....	10
5.2 Verifica .....	10
5.3 Sigillatura .....	10
6. MANUTENZIONE .....	12
6.1 Pulizia .....	12
6.2 Risoluzione dei Problemi .....	12
6.3 Informazioni sul Servizio .....	13
7. DATI TECNICI .....	13
7.1 Specifiche .....	14
7.2 CONFORMITÀ .....	17

# 1. INTRODUZIONE

Questo manuale contiene le istruzioni per l'installazione, il funzionamento e la manutenzione per la Bilancia Ohaus Valor™ 1000 Serie. Si prega di leggere il manuale completamente prima di utilizzare la bilancia.

## 1.1 INFORMAZIONI DI SICUREZZA

### Definizione dei segnali di avvertenza e dei simboli

Le note di sicurezza sono contrassegnate con parole di segnalazione e simboli di avvertenza. Questi illustrano problemi di sicurezza e avvertenze. Ignorare le note di sicurezza potrebbe causare lesioni personali, danni al prodotto, malfunzionamenti e falsi risultati.

AVVERTIMENTO	Per una situazione pericolosa a rischio medio, che potrebbe causare lesioni gravi o anche morte se non evitata.
ATTENZIONE	Per una situazione pericolosa a basso rischio, con conseguenti danni al dispositivo o alla proprietà, perdita dei dati, lesioni lievi o medie se non evitata.
ATTENZIONE	Per informazioni importanti sul prodotto. Potrebbe causare danni all'apparecchiatura se non evitata.
NOTA	Per informazioni utili sul prodotto.

### Simboli di Avvertimento



Pericolo  
Generale



Pericolo di  
esplosione



Pericolo di scosse  
elettriche

### Note sulla sicurezza



**Attenzione:** Leggere tutte le avvertenze di sicurezza prima di installare, connettere o riparare questa apparecchiatura. La mancata osservanza di queste avvertenze potrebbe causare lesioni personali e/o danni alla proprietà. Conservare tutte le istruzioni per riferimenti futuri.

- Prima di collegare l'alimentazione, verificare che l'intervallo di tensione di ingresso e il tipo di spina dell'adattatore AC siano compatibili con l'alimentazione di rete AC locale.
- Posizionare l'apparecchio in modo che non sia difficile raggiungere il collegamento di alimentazione.
- Assicurarsi che il cavo di alimentazione non rappresenti un potenziale ostacolo o pericolo di inciampo.
- Utilizzare l'apparecchio solo nelle condizioni ambientali specificate nelle presenti istruzioni per l'uso.
- L'apparecchio è destinato esclusivamente all'uso interno.

- Non utilizzare l'apparecchiatura in ambienti umidi, pericolosi o instabili.
- Evitare che liquidi penetrino nell'apparecchiatura.
- Non caricare l'apparecchiatura al di sopra della sua capacità nominale.
- Non far cadere carichi sulla piattaforma.
- Non posizionare l'apparecchiatura a testa in giù sulla piattaforma.
- Utilizzare solo accessori e periferiche approvati.
- Scollegare l'apparecchio dall'alimentazione elettrica durante la pulizia.



**AVVERTENZA:** Non lavorare mai in ambienti soggetti a rischi di esplosione! La copertura dello strumento non è a tenuta di gas. (pericolo di esplosione dovuto a formazione di scintille, corrosione causata dall'entrata di gas).



**ATTENZIONE:** La batteria deve essere sostituita solo da un rivenditore autorizzato Ohaus. Può verificarsi un rischio di esplosione se la batteria ricaricabile viene sostituita con una di tipo errato o se non viene collegata correttamente. Smaltire la batteria ricaricabile secondo le leggi e le normative locali.

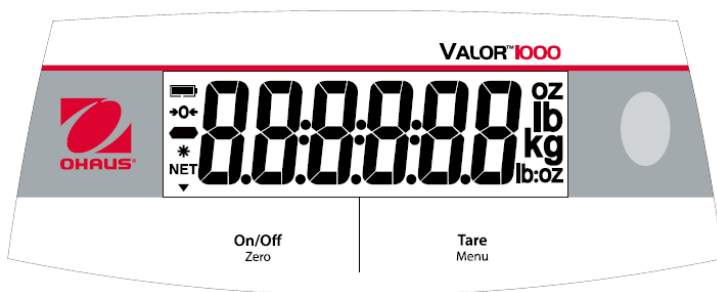
## 1.2 Uso previsto

Questo strumento è destinato alle imprese e all'industria leggera. Deve essere utilizzato esclusivamente per misurare i parametri descritti nelle presenti istruzioni per l'uso. Qualsiasi altro tipo di utilizzo e funzionamento oltre i limiti delle specifiche tecniche, senza il consenso scritto di OHAUS, è considerato come non previsto.

Questo apparecchio è conforme alle norme industriali in vigore e alle norme di sicurezza riconosciute, ma può costituire un pericolo durante l'uso.

Se lo strumento non viene utilizzato secondo queste istruzioni per l'uso, la protezione prevista fornita dallo strumento potrebbe essere compromessa.

## 1.3 Controlli



Tasti	Funzioni
<div style="border: 1px solid black; padding: 5px; width: fit-content; margin: 0 auto;"> <b>On/Off</b> Zero         </div>	Premere (quando spenta): Accende la bilancia Premere brevemente (quando accesa): Imposta il display su zero Premere a lungo (quando accesa): Spegne la bilancia Premere (in Menù): Conferma ( Enter )
<div style="border: 1px solid black; padding: 5px; width: fit-content; margin: 0 auto;"> <b>Tare</b> Menu         </div>	Premere brevemente: Conferma / cancella un valore di tara Premere a lungo: Accede al Menù Utente Premere (in Menù): Cambia la selezione del Menù (Avanti)

### Note:

Premere brevemente: Premere per meno di 3 secondi.

Premere a lungo: Tenere premuto per più di 3 secondi.

## 1.4 Display



Oggetto	Descrizione
1	Simbolo carica batteria
2	Simbolo centro zero
3	Simbolo negativo
4	Simbolo peso stabile
5	Simbolo NET



## 2. INSTALLAZIONE

### 2.1 Posizione

Utilizzare la bilancia su una superficie solida e stabile. Evitare luoghi con eccessive correnti d'aria, vibrazioni, fonti di calore, o rapidi cambiamenti di temperatura. Regolare i piedini di livellamento in modo tale che la bolla sia al centro del cerchio.

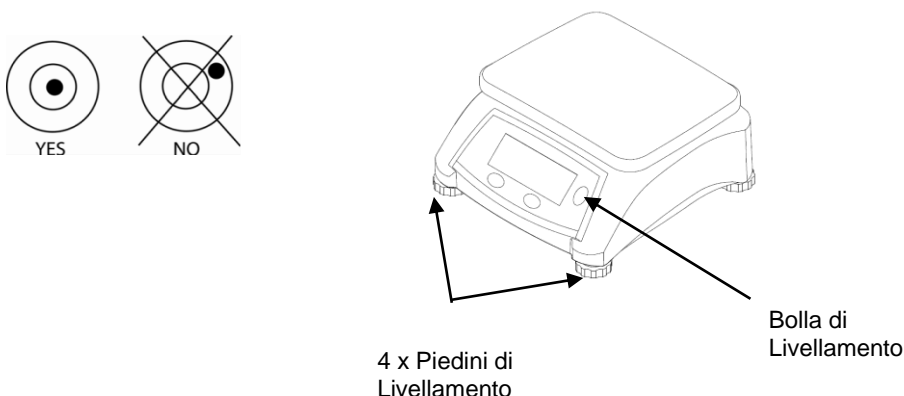


Figura 2-1. Livellamento della Bilancia

### 2.2 Alimentazione

Collegare l'adattatore di corrente alla presa. Collegare la spina alla presa CC nella parte inferiore della bilancia. La bilancia può essere utilizzata con l'adattatore di corrente collegato all'alimentazione o con 4 batterie alcaline.

**Nota:** L'adattatore di corrente potrebbe essere opzionale o incluso con la bilancia, a seconda del modello.

### 2.3 Alimentazione con batteria ricaricabile

Lasciare la batteria in carica per 12 ore prima di utilizzare la bilancia con alimentazione a batteria. Lo strumento può essere utilizzato durante la carica e la batteria è protetta dal sovraccarico. Per un tempo di funzionamento massimo, la batteria deve essere ricaricata a temperatura ambiente.

**Nota:** La disponibilità come accessorio dipende dalla regione.

**ATTENZIONE:** Caricare la batteria solo quando la temperatura ambiente è compresa tra 0 e 140 °F / 0 e 40 °C.

## 2.4 Calibrazione Iniziale

Quando la bilancia viene utilizzata per la prima volta, si consiglia una taratura a intervallo per assicurare risultati di pesatura accurati. Prima di eseguire la calibrazione, assicurarsi di avere il peso appropriato di calibrazione. È anche possibile contattare un rivenditore di bilance e manutenzione OHAUS per maggiori informazioni.

Fare riferimento alla sezione 4.1 per il procedimento di taratura a intervallo.

Massa di Taratura Richiesta (venduto separatamente)	
Max	Massa
2000 g; 3000 g	2 kg / 6 lb
5000 g; 6000 g	5 kg / 15 lb
10000 g; 15000 g	10 kg / 30 lb
20000 g; 30000 g	20 kg / 60 lb

## 3. FUNZIONAMENTO

### 3.1 Accendere/Spegnere la Bilancia

Premere **On/Off** per accendere la bilancia. La bilancia troverà e imposterà automaticamente il punto di peso Zero dopo aver visualizzato la versione del software.

In modalità pesatura, premere **On/Off** per più di 3 secondi per spegnere la bilancia.

### 3.2 Pesatura

Una volta che la bilancia ha un peso zero stabile e il peso tara di qualsiasi scatola o imballaggio è stato registrato, posizionare il prodotto da pesare sulla piattaforma -- lo schermo mostrerà il peso del prodotto nell'unità di misura selezionata.

## 4. IMPOSTAZIONI

La bilancia permette all'utente di personalizzare diverse impostazioni, inclusa la calibrazione, operazione di retroilluminazione, cambio di unità e auto spegnimento. Premere a lungo **Menu** per più di 3 secondi fino a visualizzare  $\text{C.R.L.}$ . Rilasciare il tasto **Menu** dopo aver inserito il menù utente.

### 4.1 Menù di Calibrazione

Accedere a questo menù per eseguire calibrazioni.

Una volta che la bilancia visualizza  $\text{C.R.L.}$ , premere **On/Off** per accedere al Menù Calibrazione ed eseguire una taratura o una calibrazione della linearità.

Per uso legale, potrebbe essere necessario eseguire ciò in conformità con i requisiti locali relativi a pesi e misure. Contattare il proprio rivenditore di bilance locale per maggiori informazioni.

Premere **Tara** per uscire da Calibrazione espostarsi sul Menù di Configurazione.

**Nota:** la calibrazione non è consentita in alcune regioni o quando la bilancia è in modalità approvata.

#### TARATURA A INTERVALLO [SPRN]

Iniziare una procedura di taratura a intervallo utilizzando un peso di taratura equivalente alla capacità complessiva della bilancia. Premere **On/Off** per inserire la routine di taratura a intervallo, o premere **Tara** per procedere a una calibrazione di linearità.

Quando viene mostrato 0.000kg, premere brevemente **On/Off** per fissare il peso zero se la piattaforma è vuota.

Quando viene mostrata la capacità complessiva della bilancia, posizionare un peso equivalente alla capacità della bilancia sulla bilancia stessa e premere brevemente **On/Off**.

Se la bilancia mostra " $\text{C.R.L. - E}$ ", uno dei pesi utilizzati per la calibrazione è sbagliato e la bilancia non ha completato la calibrazione.

Per uscire dalla calibrazione in qualsiasi momento, premere brevemente **Tara/Menù**.

#### Linearità [L #]

Procedura di calibrazione di linearità (zero, peso medio e taratura a intervallo).

Quando si esegue una calibrazione di linearità, la bilancia richiederà un peso pari a zero -- la piattaforma senza niente sopra e peso visualizzato pari a zero -- un peso medio equivale al 50% della taratura a intervallo, e il peso della taratura a intervallo equivale alla capacità complessiva della bilancia.

Quando viene mostrato 0.000kg, premere brevemente **On/Off** per fissare il peso zero se la piattaforma è vuota.

Quando viene mostrata metà capacità della bilancia, posizionare un peso equivalente al 50% della capacità della bilancia sul piatto e premere brevemente **On/Off**.

Quando viene mostrata la capacità complessiva della bilancia, posizionare un peso

equivalente alla capacità della bilancia sul piatto e premere brevemente **On/Off**.

Se la bilancia mostra "CRL - E", uno dei pesi utilizzati per la calibrazione è sbagliato e la bilancia non ha completato la calibrazione.

Per uscire dalla calibrazione in qualsiasi momento, premere brevemente **Tara/Menù**.

### Fine [E]nd]

Premere **On/Off** per passare al Menù di Configurazione, o premere Tara per tornare alla taratura a intervallo.

**Nota:** Per uscire dalla calibrazione in qualsiasi momento, tenere premuto il tasto **On/Off** finché la bilancia si spegne.

## 4.2 Menù di Configurazione

Accedere a questo menù per impostare i parametri.

Luce:	Off, On, <b>Auto</b>
Unità:	<b>kg</b> , g, lb, oz, lb:oz
Auto spegnimento:	<b>A00</b> , A01, A05, A10, Off
Fine	Exit menu

**Nota:** Le unità variano a seconda di diverse regioni o modelli.

### Luce [L. I.L.H.E]

Questo imposta il funzionamento della retroilluminazione dello schermo.

ON = sempre acceso

OFF = sempre spento

**AUTO** = Si accende quando si preme un tasto quando il peso visualizzato cambia.

Di conseguenza, la retroilluminazione si spegne quando il peso visualizzato rimane invariato per più di 10 secondi.

### Unità [U.N. I.E]

Il valore 1000 permette di utilizzare soltanto una unità di peso per volta. Le unità possono essere cambiate in queste impostazioni e appariranno quando si esce dal menù

Premere **On/Off** per accedere al sottomenù Unità. Apparirà "kg" per i chilogrammi.

Premere **On/Off** per accettare chilogrammi come unità di pesatura e uscire dal sottomenù Unità, o premere Tara per spostarsi all'unità successiva.

### Menù di Auto Spegnimento [A. - O.F.F]

Impostare il tempo di auto spegnimento per la bilancia.

**A00** = si spegne dopo 5 minuti di inattività con solo alimentazione a batteria; disabilitato con adattatore CA alimentato

**A01** = spegnimento dopo 1 minuto di inattività

A05 = spegnimento dopo 5 minutidi inattività  
A10 = spegnimento dopo 10 minuti di inattività  
Off = disabilitato

### **Segnale Acustico [bP.†Eʒ]**

ON = accende il segnale acustico quando si preme un tasto qualsiasi.  
OFF = spegne il segnale acustico quando si preme un tasto qualsiasi.

### **Fine Configurazione [Ē.n.d]**

Premere il tasto **Tara/Menù** per tornare al menù **C.A.L.**, o premere il tasto **On/Off** per tornare al normale funzionamento.

## 5. LEGALE PER IL COMMERCIO

Quando la bilancia è utilizzata in commercio o in un'applicazione legalmente controllata, deve essere installata, verificata e sigillata in conformità alle norme locali in materia di pesi e misure. È responsabilità dell'acquirente assicurarsi che siano soddisfatti tutti i requisiti legali pertinenti. Poiché i requisiti variano a seconda della giurisdizione, si consiglia all'acquirente di contattare l'ufficio pesi e misure locale per le istruzioni sulla messa in servizio della bilancia.

### 5.1 Impostazioni

Prima della verifica e della sigillatura, eseguire le seguenti operazioni:

1. Confermare che l'unità di misura selezionata è consentita dalle norme locali in materia di pesi e misure.
2. Eseguire una calibrazione come spiegato nella sezione 4.1.
3. Impostare la posizione dell'interruttore di sicurezza come indicato nella sezione 5.3.

### 5.2 Verifica

Un funzionario di pesi e misure deve eseguire la procedura di verifica. Contattare l'ufficio pesi e misure locale per ulteriori informazioni.

### 5.3 Sigillatura

Un interruttore LFT sotto il coperchio di chiusura viene utilizzato per proteggere le impostazioni del menu. Quando si preme l'interruttore, le impostazioni del menu possono essere visualizzate ma non modificate. Rimuovere il coperchio di tenuta con un cacciavite e quindi premere l'interruttore quando la bilancia è accesa. Dopo che, sullo schermo sarà visualizzato "LFt .ON".



Coperchio dell'interruttore LFT



Interruttore LFT

Dopo che la bilancia è stata verificata, deve essere sigillata all'ufficiale pesi e dalle misure per impedire l'accesso non rilevato alle impostazioni legalmente controllate. Per la sigillatura, fare riferimento alle illustrazioni sottostanti.



Sigillatura

## 6. MANUTENZIONE

### 6.1 Pulizia



**ATTENZIONE:** Pericolo di scosse elettriche. Scollegare l'apparecchiatura dall'alimentazione elettrica prima della pulizia. Assicurarsi che nessun liquido penetri all'interno dello strumento.



**Attenzione:** Non utilizzare solventi, prodotti chimici aggressivi, ammoniacca o detersivi abrasivi.

La custodia può essere pulita con un panno umido e un detersivo delicato, se necessario.

### 6.2 Risoluzione dei Problemi

La seguente tabella illustra i problemi comuni con possibili cause e soluzioni. Se il problema persiste, contattare OHAUS o il proprio rivenditore autorizzato.

TABELLA 5-1. RISOLUZIONE DEI PROBLEMI.

Sintomo	Possibile Causa	Possibile Soluzione
Err E	Errore di Calibrazione: ambiente instabile o peso di calibrazione errato esbagliato	Controllare ambiente e pesi di calibrazione, quindi ri-calibrare.
Err 8.1	Il peso sulla piattaforma appena	Pulire il piatto.
Err 8.2	Il peso sulla piattaforma appena accesa la bilancia è minore di zero.	Controllare se manca il piatto.
Err 8.3	Sovraccarico (il peso eccede la capacità)	Rimuovere il peso dal piatto.
Err 8.4	Sotto carico (piatto rimosso)	Rimettere il piatto.
Err 8.5	Peso di tara fuori intervallo	Valore della tara eccede il massimo.
Err 9.5	Errore dati interno o errore di calibrazione dati	Contattare OHAUS o il proprio rivenditore autorizzato per supporto.



Err 13	Impossibile scrivere a EEPROM	Contattare OHAUS o il proprio rivenditore autorizzato per supporto.
Lo.bAt	Batteria Scarica	Cambiare le batterie; Caricare la batteria ricaricabile.
--nq--	Azione non supportata	/
-----	Occupato	/

### 6.3 Informazioni sul Servizio

Se la sezione Risoluzione di Problemi non ha risolto o descritto il vostro problema, contattare il proprio manutentore autorizzato OHAUS. Per assistenza o supporto tecnico negli Stati Uniti chiamare il numero 1-800-672-7722 ext. 7852 tra le 8:00 AM e le 5:00 PM EST. Uno specialista OHAUS sarà disponibile per fornire assistenza da Lunedì a Venerdì. Al di fuori di Stati Uniti, Canada e Porto Rico, si prega di visitare il nostro sito, [www.ohaus.com](http://www.ohaus.com) per localizzare l'ufficio OHAUS più vicino a voi.

## 7. DATI TECNICI

Valutazioni dell'apparecchiatura:

Utilizzo solamente in interni

Altitudine: 2000m

Temperatura di Utilizzo: 0° a 40°C

Umidità: Umidità massima relativa 80% per temperature fino a 31 °C decrescendo in modo lineare al 50% di umidità relativa 40°C.

Alimentazione elettrica: 12VDC, 0,5A. Per l'uso con un alimentatore certificato o approvato, che deve avere una SELV e una potenza del circuito di energia limitata.

Fluttuazioni di tensione: Fluttuazioni della tensione di alimentazione fino a  $\pm 10\%$  della tensione nominale.

Categoria di sovratensione (Categoria di Installazione): II

Grado di Inquinamento: 2

## 7.1 Specifiche

TABELLA 7-1. Specifiche

Modello*	V12P3	V12P6	V12P15	V12P30
Capacità x Leggibilità (Max x d non-approvato)	6 lb x 0.001 lb 3 kg x 0.0005 kg 3,000 g x 0.5 g 96 oz x 0.02 oz 6 lb x 0.02 oz	15 lb x 0.002 lb 6 kg x 0.001 kg 6,000 g x 1 g 240 oz x 0.5 oz 15 lb x 0.5 oz	30 lb x 0.005 lb 15 kg x 0.002 kg 15,000 g x 2 g 480 oz x 0.1 oz 30 lb x 0.1 oz	60 lb x 0.01 lb 30 kg x 0.005 kg 30,000 g x 5 g 960 oz x 0.2 oz 60 lb x 0.2 oz
RisoluzioneMassimaVisualizzata	1:6.000	1:6.000	1:7.500	1:6.000
Unità di Peso	g, kg, lb, oz, lb:oz			
Modalità di Applicazione	Pesatura			
Intervallo di Tara	A capacità per sottrazione			
Tempo di Stabilizzazione	≤2 secondi			
Requisiti di Alimentazione**	4 x D cell batterie Alkaline, adattatore di corrente o batterie ricaricabili			
Calibrazione	Digitale con peso esterno			
Durata tipica della batteria	1500 ore senza retroilluminazione			
Costruzione	ABS plastica, piatto di acciaio			
Sovraccarico sicuro	150% della capacità			
Intervallo di temperatura specificato	32 to 104° F / 0 to 40 °C			
Tipo di Display	Display singolo, LCD con retroilluminazione bianca			
Dimensioni del Display	1.0 in / 25.4mm			
Dimensioni del Piatto	9.65 x 7.48 in / 245 x 190 mm			
Dimensioni della Bilancia (W x D x H)	10.2 x 10.6 x 4.8 in / 260 x 270 x 122 mm			
Dimensioni di Spedizione (W x D x H)	12.6 x 12.6 x 6.9 in / 319 x319 x175 mm			
Peso Netto	5.5 lb / 2.5 kg			
Peso di Spedizione	6.8 lb / 3.1ka			

\* Alcune regioni sono disponibili con i modelli V12PRx, che sono standard con adattatore CA e batteria ricaricabile.

\*\* La disponibilità dipende dalla regione.

TABELLA 7-2. Specifiche




Modello	V12P2T	V12P5T	V12P10T	V12P20T
Capacità × Leggibilità (Max x d non-approvato)	5 lb x 0.0005 lb 2 kg x 0.0002 kg 2,000 g x 0.2 g 80 oz x 0.01 oz	10 lb x 0.001 lb 5 kg x 0.0005 kg 5,000 g x 0.5 g 160 oz x 0.02 oz	20 lb x 0.002 lb 10 kg x 0.001 kg 10,000 g x 1 g 320 oz x 0.05 oz	50 lb x 0.005 lb 20 kg x 0.002 kg 20,000 g x 2 g 800 oz x 0.1 oz
RisoluzioneMassimaVisualizzata	1:10.000	1:10.000	1:10.000	1:10.000
Capacità Certificata × Leggibilità (Max x e approvato)	5 lb x 0.002 lb 2 kg x 0.001 kg 2,000 g x 1 g 80 oz x 0.05 oz	10 lb x 0.005 lb 5 kg x 0.002 kg 5,000 g x 2 g 160 oz x 0.1 oz	20 lb x 0.01 lb 10 kg x 0.005 kg 10,000 g x 5 g 320 oz x 0.2 oz	50 lb x 0.02 lb 20 kg x 0.01 kg 20,000 g x 10 g 800 oz x 0.5 oz
Risoluzione Approvata	1:2,000	1:2,500	1:2,000	1:2,000
Classe	Classe III NTEP / Misure in Canada			
Unità di Peso	g, kg, lb, oz			
Modalità di Applicazione	Pesatura			
Intervallo di Tara	A capacità per sottrazione			
Tempo di Stabilizzazione	≤2 secondi			
Requisiti di Alimentazione	4 x batterie Alkaline (non incluse) o adattatore di corrente (incluso)			
Calibrazione	Digitale con peso esterno			
Durata tipica della Batteria	750 ore			
Costruzione	ABS plastica, piatto di acciaio, copertura			
Sovraccarico sicuro	150% della Capacità			
Comunicazione	RS232 Opzionale			
Intervallo di Temperatura Specificato	32 to 104° F / 0 to 40 °C			
Tipo di Display	LCD (fronte e retro della bilancia) con retroilluminazione bianca			
Dimensioni del Display	1.0 in / 25.4mm			
Dimensioni del Piatto	9.65 x 7.48 in / 245 x 190 mm			
Dimensioni della Bilancia (W x D x H)	10.2 x 10.6 x 4.8 in / 260 x 270 x 122 mm			
Dimensioni di Spedizione (W x D x H)	12.6 x 12.6 x 6.9 in / 319 x319 x175 mm			
Peso Netto	5.5 lb / 2.5 kg			
Peso di Spedizione	6.8 lb / 3.1kg			

TABELLA 7-3. Specifiche

<b>Modello</b>	<b>V12P3T</b>	<b>V12P6T</b>	<b>V12P15T</b>	<b>V12P30T</b>
Capacità x Leggibilità (Max x d non-approvato)	3 kg x 0.0002 kg 3000 g x 0.2 g	6 kg x 0.0005 kg 6000 g x 0.5 g	15 kg x 0.001 kg 15000 g x 1 g	30 kg x 0.002 kg 30000 g x 2 g
RisoluzioneMassimaVisualizzata	1:15.000	1:12.000	1:15.000	1:15.000
<b>Modello</b>	<b>V12P3T-M</b>	<b>V12P6T-M</b>	<b>V12P15T-M</b>	<b>V12P30T-M</b>
Capacità x Leggibilità (Max x e approvato)	3 kg x 0.001kg 3000 g x 1 g	6 kg x 0.002 kg 6000 g x 2 g	15 kg x 0.005 kg 15000 g x 5 g	30 kg x 0.01 kg 30000 g x 10 g
Risoluzione Approvata	1:3,000	1:3,000	1:3,000	1:3,000
Unità di Peso	g, kg			
Modalità di Applicazione	Pesatura			
Intervallo di Tara	A capacità per sottrazione			
Tempo di Stabilizzazione	≤2 secondi			
Requisiti di Alimentazione	4 x batterie Alkaline (incluse), adattatore di corrente (opzionale) o batterie ricaricabili (opzionali)			
Calibrazione	Digitale con pesi esterni			
Durata Tipica della Batteria	750 ore			
Costruzione	ABS plastica. piatto in acciaio			
Sovraccarico Sicuro	150% della Capacità			
Comunicazione	RS232 Opzionale			
Intervallo di Temperatura Specificato	0 to 40 °C			
Tipo di Display	LCD (fronte e retro della bilancia) con retroilluminazione bianca			
Dimensioni del Display	25.4mm			
Dimensioni del Piatto	245 x 190 mm			
Dimensioni della Bilancia (W x D x H)	260 x 270 x 122 mm			
Dimensioni di Spedizione (W x D x H)	319 x319 x175 mm			
Peso Netto	2.5 kg			
Peso di Spedizione	3.1 kg			

## 7.2 CONFORMITÀ

La conformità ai seguenti standard è indicata dal marchio corrispondente sul prodotto.

Marchio	Standard
	Questo prodotto è conforme alle norme armonizzate applicabili delle direttive UE 2011/65/UE (RoHS), 2014/30/EU (EMC), 2014/35/UE (LVD) e 2014/31/UE (NAWI). La dichiarazione di conformità UE è disponibile online all'indirizzo <a href="http://www.ohaus.com/ce">www.ohaus.com/ce</a> .
	Questo prodotto è conforme alle direttive UE 2012/19/UE (RAEE) e 2006/66/CE (batterie). Si prega di smaltire questo prodotto in conformità alle normative locali nel punto di raccolta specificato per le apparecchiature elettriche ed elettroniche. Per istruzioni sullo smaltimento in Europa, fare riferimento al sito <a href="http://www.ohaus.com/weee">www.ohaus.com/weee</a> .
	EN 61326-1

### Avviso importante per gli strumenti di pesatura verificati V12P....-M nell'UE

Quando lo strumento viene utilizzato in commercio o in un'applicazione legalmente controllata, esso deve essere installato, verificato e sigillato in conformità alle normative locali su pesi e misure. È responsabilità dell'acquirente assicurarsi che tutti i requisiti legali pertinenti siano soddisfatti.

Gli strumenti di pesatura verificati nel luogo di produzione recano quanto segue Marcatura metrologica supplementare sulla targa descrittiva.

  1259

Gli strumenti di pesatura da verificare in due fasi non hanno marcature metodologiche supplementari sulla targa descrittiva. La seconda fase della valutazione della conformità deve essere effettuata dalle autorità competenti in materia di pesi e misure.

Se le normative nazionali limitano il periodo di validità della verifica, l'utente dello strumento di pesatura deve osservare rigorosamente il periodo di nuova verifica e informare le autorità di pesi e misure.

Dal momento che i requisiti di verifica variano in base alla giurisdizione, l'acquirente deve contattare l'ufficio locale di pesi e misure se non ha familiarità con i requisiti.

### Dichiarazione di conformità ISD Canada:

Questo apparecchio digitale di Classe B è conforme al ICES-003 Canadese.

### Registrazione ISO 9001

Il sistema di gestione che regola la produzione di questo apparecchio è certificato ISO 9001.

## **GARANZIA LIMITATA**

I prodotti Ohaus sono garantiti contro difetti nei materiali e nella lavorazione dalla data di consegna fino alla durata del periodo di garanzia. Durante il periodo di garanzia, Ohaus riparerà o, a sua discrezione, sostituirà gratuitamente qualsiasi componente che si dimostra difettoso, a condizione che il prodotto venga restituito, franco carico prepagato, a Ohaus.

La presente garanzia non si applica se il prodotto è stato danneggiato da un incidente o da uso improprio, esposto a materiali radioattivi o corrosivi, ha materiale estraneo che penetra all'interno del prodotto, o come risultato di servizio o modifica da personale non autorizzato da Ohaus. Invece di una scheda di registrazione della garanzia correttamente restituita, il periodo di garanzia decorrerà dalla data di spedizione al rivenditore autorizzato. Nessun'altra garanzia espressa o implicita è fornita da Ohaus Corporation. Ohaus Corporation non sarà responsabile per eventuali danni conseguenti.

Poiché la legislazione sulla garanzia varia da Stato a Stato e da Paese a Paese, contattare Ohaus o il proprio rivenditore Ohaus locale per ulteriori dettagli.

## Spis treści

1. Wprowadzenie .....	2
1.1 INFORMACJE DOTYCZĄCE BEZPIECZEŃSTWA.....	2
1.2 Użytkowanie zgodne z przeznaczeniem.....	3
1.3 Sterowanie.....	4
1.4 Wyświetlacz .....	4
2. INSTALACJA .....	5
2.1 Miejsce .....	5
2.2 Zasilanie .....	5
2.3 Zasilanie akumulatorem do ponownego ładowania .....	5
2.4 Kalibracja wstępna.....	6
3. OBSŁUGA .....	6
3.1 Włączanie/wyłączanie wagi .....	6
3.2 Ważenie.....	6
4. USTAWIENIA .....	7
4.1 Menu kalibracji.....	7
4.2 Menu ustawień.....	8
5. Zgodne z przepisami prawa handlowego.....	10
5.1 Ustawienia .....	10
5.2 Weryfikacja .....	10
5.3 Plombowanie .....	10
6. KONSERWACJA .....	12
6.1 Czyszczenie .....	12
6.2 Rozwiązywanie problemów .....	12
6.3 Informacje serwisowe .....	13
7. DANE TECHNICZNE .....	13
7.1 Specyfikacja .....	14
7.2 ZGODNOŚĆ .....	17

# 1. Wprowadzenie

Niniejsza instrukcja zawiera instrukcje instalacji, obsługi i konserwacji wag serii Ohaus Valor™ 1000. Przed użyciem wagi prosimy o dokładne zapoznanie się z instrukcją obsługi.

## 1.1 INFORMACJE DOTYCZĄCE BEZPIECZEŃSTWA

### Definicja ostrzeżeń i symboli ostrzegawczych

Informacje dotyczące bezpieczeństwa oznaczone są symbolami i słowami ostrzegawczymi. Przedstawiają one ostrzeżenia i zagrożenia dotyczące bezpieczeństwa. Zignorowanie wskazówek bezpieczeństwa może prowadzić do obrażeń ciała, uszkodzeń urządzenia, awarii i błędnych wyników.

**OSTRZEŻENIE** Dla sytuacji niebezpiecznych o średnim stopniu ryzyka, których skutkiem mogą być ciężkie obrażenia ciała lub śmierć.

**PRZESTROGA** Dla sytuacji niebezpiecznych o niskim stopniu ryzyka, których skutkiem mogą być uszkodzenia urządzeń lub mienia, utrata danych lub niewielkie lub średnie obrażenia ciała.

**UWAGA** Dla ważnych informacji o produkcie. Możliwe uszkodzenie sprzętu.

**WSKAZÓWKA** Dla przydatnych informacji o produkcie.

### Symboly ostrzegawcze



Zagrożenie  
ogólne



Zagrożenie  
wybuchem



Zagrożenie  
porażeniem  
prądem  
elektrycznym

### Wskazówki dotyczące bezpieczeństwa



**PRZESTROGA:** Przed instalacją, podłączeniem lub serwisowaniem urządzenia należy przeczytać wszystkie ostrzeżenia dotyczące bezpieczeństwa. Niezastosowanie się do tych ostrzeżeń może spowodować obrażenia ciała i/lub szkody materialne. Zachowaj wszystkie niniejsze instrukcje do wykorzystania w przyszłości.

- Przed podłączeniem zasilania należy sprawdzić, czy zakres napięcia wejściowego zasilacza sieciowego i typ wtyczki są kompatybilne z lokalnym zasilaczem sieciowym.
- Należy ustawiać urządzenie w taki sposób, aby możliwe było dotarcie do przyłącza zasilania.
- Należy się upewnić, że przewód zasilający nie stanowi potencjalnej przeszkody lub zagrożenia potknięciem.
- Urządzenie należy użytkować wyłącznie w warunkach otoczenia określonych w niniejszej instrukcji.
- Urządzenie jest przeznaczone wyłącznie do użytku wewnątrz pomieszczeń.
- Nie używać urządzenia w środowisku wilgotnym, niebezpiecznym lub niestabilnym.



- Nie dopuszczać do przedostania się płynów do urządzenia.
- Nie ładować urządzenia powyżej jego pojemności znamionowej.
- Nie upuszczać ładunków na platformę.
- Nie umieszczać urządzenia do góry nogami na platformie.
- Używać wyłącznie zatwierdzonych akcesoriów i urządzeń peryferyjnych.
- Podczas czyszczenia należy odłączyć urządzenie od źródła zasilania.
- Serwis powinien być wykonywany wyłącznie przez autoryzowany personel.



**OSTRZEŻENIE:** Nigdy nie pracuj w środowisku zagrożonym wybuchem! Obudowa przyrządu nie jest gazoszczelna. (zagrożenie wybuchem w wyniku tworzenia się iskier, korozja spowodowana wnikaniami gazów).



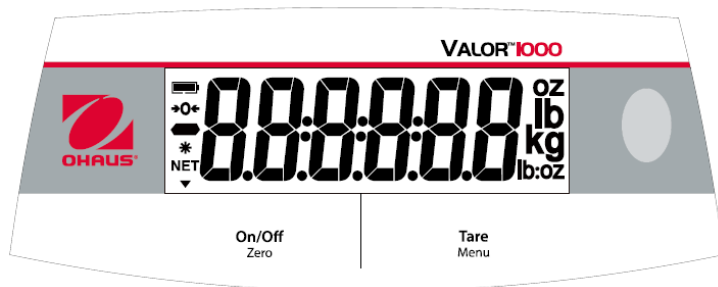
**PRZESTROGA:** Bateria może być wymieniana wyłącznie przez autoryzowanego dealera serwisowego Ohaus. Niebezpieczeństwo wybuchu może wystąpić w przypadku wymiany baterii wielokrotnego ładowania na baterie niewłaściwego typu lub niewłaściwie podłączone. Akumulator należy utylizować zgodnie z lokalnymi przepisami i regulacjami prawnymi.

## 1.2 Użytkowanie zgodne z przeznaczeniem

Przyrząd ten jest przeznaczony do stosowania w przedsiębiorstwach i przemyśle lekkim. Można go używać wyłącznie do pomiaru parametrów opisanych w niniejszej instrukcji obsługi. Każdy inny rodzaj zastosowania i działania wykraczający poza granice specyfikacji technicznych, bez pisemnej zgody firmy OHAUS, jest uważany za niezgodny z przeznaczeniem. Przyrząd ten jest zgodny z obowiązującymi normami branżowymi i uznanymi przepisami bezpieczeństwa, może jednak stanowić zagrożenie w użytkowaniu.

Jeżeli przyrząd nie jest użytkowany zgodnie z niniejszą instrukcją obsługi, może to mieć negatywny wpływ na zamierzone bezpieczeństwo.

## 1.3 Sterowanie



Przycisk	Funkcje
<div style="border: 1px solid black; padding: 5px; width: fit-content; margin: 0 auto;"> <b>On/Off</b> Zero         </div>	Naciśnięcie przycisku (gdy jest wyłączona): Włącza wagę Krótkie przyciśnięcie (gdy jest włączona): Wyzerowanie wyświetlacza Długie przyciśnięcie (gdy jest włączona): Wyłącza wagę Naciśnięcie przycisku (w Menu): Potwierdzenie (Wprowadzenie)
<div style="border: 1px solid black; padding: 5px; width: fit-content; margin: 0 auto;"> <b>Tare</b> Menu         </div>	Krótkie przyciśnięcie: Wprowadza / usuwa wartość tary Długie przyciśnięcie: Wejście w Menu użytkownika Naciśnięcie przycisku (w Menu): Zmiana wyboru menu (w przód)

### Wskazówki:

Krótkie przyciśnięcie: Przytrzymaj krócej niż 3 sekundy.

Długie przyciśnięcie: Naciśnij i przytrzymaj dłużej niż 3 sekundy.

## 1.4 Wyświetlacz

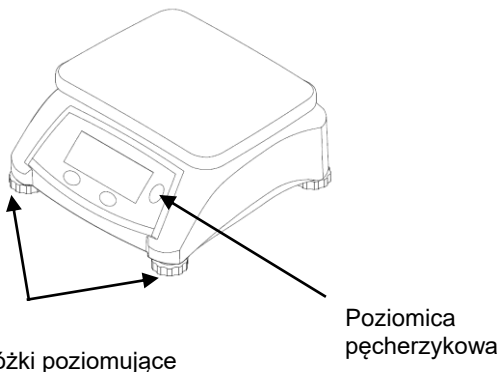
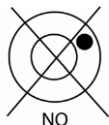
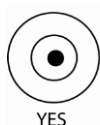


Przedmiot	Opis
1	Symbol ładowania baterii
2	Symbol wyśrodkowania zera
3	Symbol wagi ujemnej
4	Symbol stabilnej masy
5	Symbol wagi netto

## 2. INSTALACJA

### 2.1 Miejsce

Skalę należy stosować na twardej, stabilnej powierzchni. Unikaj miejsc, w których występuje nadmierny przepływ prądu powietrza, wibracje, źródła ciepła lub gwałtowne zmiany temperatury. Wyreguluj nóżki poziomujące tak, aby pęcherzyk znajdował się w środku koła.



Rysunek 2-1. Poziomowanie wagi.

### 2.2 Zasilanie

Podłącz zasilacz sieciowy do sieci zasilającej. Podłącz wtyczkę do gniazda prądu stałego w dolnej części wagi. Waga może być zasilana przy użyciu zasilacza lub 4 baterii alkalicznych.

**Wskazówka:** Zasilacz sieciowy może być dostępny opcjonalnie lub dołączony do wagi, w zależności od modelu.

### 2.3 Zasilanie akumulatorem do ponownego ładowania

Przed użyciem wagi należy pozwolić na naładowanie baterii przez 12 godzin. Urządzenie może pracować podczas ładowania. Bateria jest zabezpieczona przed przeładowaniem. Aby uzyskać maksymalny czas pracy, bateria powinna być ładowana w temperaturze pokojowej.

**Wskazówka:** Dostępność akcesorium zależy od regionu.

**OSTRZEŻENIE:** Akumulator należy ładować tylko wtedy, gdy temperatura otoczenia wynosi od 0 do 140 °F / 0 do 40 °C.

## 2.4 Kalibracja wstępna

Przy pierwszym uruchomieniu wagi zaleca się kalibrację zakresu pomiarowego w celu zapewnienia dokładnych wyników ważenia. Przed wykonaniem kalibracji należy upewnić się, że posiada się odpowiedni ciężar kalibracyjny. Można również skontaktować się z dealerem wag serwisowych OHAUS, aby uzyskać więcej informacji.

Więcej informacji na temat procedur kalibracji zakresu znajduje się w sekcji 4.1.

Wymagana masa kalibracyjna zakresu	
Maks.	Masa
2000 g; 3000 g	2 kg / 6 lb
5000 g; 6000 g	5 kg / 15 lb
10000 g; 15000 g	10 kg / 30 lb
20000 g; 30000 g	20 kg / 60 lb

## 3. OBSŁUGA

### 3.1 Włączanie/wyłączanie wagi

Naciśnij przycisk **On/Off**, aby włączyć wagę. Po wyświetleniu wersji oprogramowania waga automatycznie odnajdzie i ustawi punkt zerowy wagi. W trybie ważenia, naciśnij i przytrzymaj **On/Off** przez ponad 3 sekundy, aby wyłączyć wagę.

### 3.2 Ważenie

Gdy waga ma stabilną wagę zerową i tara każdego opakowania lub pojemnika została ujęta, umieść produkt ważony na płycie - wyświetlacz pokaże wagę produktu w wybranej jednostce miary.

## 4. USTAWIENIA

Waga umożliwia użytkownikowi dostosowanie kilku ustawień, w tym kalibracji, podświetlenia, zmiany jednostek i automatycznego wyłączenia. Naciśnij i przytrzymaj przycisk **Menu** przez dłużej niż 3 sekundy, aż zobaczysz napis C.A.L. Puść przycisk **Menu** po wejściu do menu użytkownika.

### 4.1 Menu kalibracji

Wejść w to menu, aby dokonać kalibracji.

Po tym jak waga wyświetli napis **C.A.L.**, naciśnij przycisk **On/Off**, aby wejść w Menu kalibracji i dokonać kalibracji zakresu lub liniowości.

W przypadku użycia zgodnego z prawem handlowym, kalibracja może być wykonana zgodnie z lokalnymi wymogami dotyczącymi miar i wag. Aby uzyskać więcej informacji, skontaktuj się z lokalnym dealerem wag.

Naciśnij przycisk **Tare**, aby wyjść z Kalibracji i przejść do Menu ustawień.

**Uwaga:** Kalibracja nie jest dozwolona w niektórych regionach lub gdy waga jest w trybie Zatwierdzony.

#### ZAKRES [SPAN]

Rozpoczyna procedurę kalibracji zakresu przy użyciu masy kalibracyjnej zakresu równej pełnej pojemności wagi. Naciśnij przycisk **On/Off**, aby wprowadzić procedurę kalibracji SPAN, lub naciśnij przycisk **Tare**, aby przejść do kalibracji Lin. Gdy pokazane jest 0,000 kg, naciśnij krótko przycisk **On/Off**, aby uchwycić wagę zerową, gdy na płycie nic się nie znajduje.

Gdy pokazywana jest pełna pojemność wagi, umieść ciężar równy pojemności wagi i naciśnij krótko przycisk **On/Off**.

Jeśli waga wyświetla komunikat „**CAL - E**”, jeden z ciężarów użytych do kalibracji jest nieprawidłowy i waga nie zakończyła kalibracji.

Aby zakończyć kalibrację w dowolnym punkcie, naciśnij krótko przycisk **Tare/Menu**.

#### Liniowość [L

Rozpoczyna procedurę kalibracji liniowości (zero, punkt środkowy i zakres).

Podczas wykonywania kalibracji liniowości waga poprosi Cię o zerowy ciężar - bez niczego na wadze, wyświetlacz masy na poziomie 0 - ciężar środkowy równy 50% masy zakresu pomiarowego oraz wagę zakresu pomiarowego równą pełnej pojemności zakresu pomiarowego wagi. Gdy pokazane jest 0,000 kg, naciśnij krótko przycisk **On/Off**, aby uchwycić wagę zerową, gdy na płycie nic się nie znajduje. Gdy pokazana jest połowa pojemności wagi, umieść ciężar równy 50% pojemności wagi na szalce i naciśnij krótko przycisk **On/Off**. Gdy pokazywana jest pełna pojemność wagi, umieść ciężar równy pojemności wagi i naciśnij krótko przycisk **On/Off**.

Jeśli waga wyświetla komunikat „**CAL - E**”, jeden z ciężarów użytych do kalibracji jest nieprawidłowy i waga nie zakończyła kalibracji.

Aby zakończyć kalibrację w dowolnym punkcie, naciśnij krótko przycisk **Tare/Menu**.

## Zakończ [END]

Naciśnij przycisk **On/Off**, aby przejść do menu ustawień, lub naciśnij przycisk Tare, aby powrócić do kalibracji zakresu.

**Uwaga:** Aby zakończyć kalibrację w dowolnym momencie, należy nacisnąć i przytrzymać przycisk **On/Off**, aż waga zostanie wyłączona.

## 4.2 Menu ustawień

Wejść do tego menu, aby ustawić parametry wagi.

Podświetlenie:	Wył., wł., <b>Auto</b>
Jednostki:	<b>kg</b> , g, lb, oz, lb:oz
Automatyczne wyłączenie:	<b>A00</b> , A01, A05, A10, Wył.
Koniec	Wyjdź z menu

**Uwaga:** Jednostki różnią się w zależności od regionu lub modelu.

### Podświetlenie [L. I.C.H.E]

Ustawia działanie podświetlenia wyświetlacza.

WŁ. = zawsze włączone

WYŁ. = zawsze wyłączone

**AUTO** = Włącza się po naciśnięciu przycisku lub zmianie wyświetlanej wagi. Można również wyłączyć podświetlenie, gdy wyświetlana waga nie zmienia się dłużej niż 10 sekund.

### Jednostki [U.N. I.E]

Valor 1000 pozwala na stosowanie jednej jednostki wagowej w tym samym czasie.

Jednostki mogą być zmieniane w menu ustawień i pojawią się po wyjściu z menu.

Naciśnij przycisk **On/Off**, aby wejść do podmenu Jednostki. Wyświetlony zostanie komunikat „kg” dla kilogramów. Naciśnij przycisk **On/Off**, aby zaakceptować kilogramy jako jednostkę wagi i wyjdź z podmenu Jednostki lub naciśnij przycisk

**Tare**, aby przejść do następnej jednostki.

### Menu automatycznego wyłączenia [R. -O.F.F]

Ustaw czas automatycznego wyłączenia wagi.

**A00** = wyłącza się po 5 minutach braku aktywności tylko przy zasilaniu baterijnym; wyłączony przy zasilanym zasilaczu sieciowym

A01 = wyłączenie zasilania po 1 minucie bezczynności

A05 = wyłączenie zasilania po 5 minutach bezczynności

A10 = wyłączenie zasilania po 10 minutach bezczynności

**Wył.** = wyłączone

**Brzęczyk [b.P.Ł.Ł]**

WŁ. = włącza brzęczyk po naciśnięciu dowolnego klawisza.

WYŁ. = wyłącza brzęczyk po naciśnięciu dowolnego klawisza.

**Wyjdź z ustawień[E.n.d]**

Naciśnij przycisk **Tare/Menu**, aby powrócić do menu **Ł.P.Ł**, lub naciśnij przycisk **On/Off**, aby powrócić do normalnej pracy.

## 5. Zgodne z przepisami prawa handlowego

Waga stosowana w handlu lub w prawnie kontrolowanym zastosowaniu musi być ustawiona, zweryfikowana i zaplombowana zgodnie z lokalnymi przepisami dotyczącymi miar i wag. Obowiązkiem nabywcy jest dopilnowanie, aby wszystkie istotne wymogi prawne zostały spełnione. Ponieważ wymagania różnią się w zależności od jurysdykcji, zaleca się, aby nabywca skontaktował się z lokalnym biurem wag i miar w celu uzyskania instrukcji dotyczących uruchomienia wagi.

### 5.1 Ustawienia

Przed weryfikacją i zaplombowaniem należy wykonać następujące czynności:

1. Upewnić się, że wybrana jednostka miary jest dopuszczalna zgodnie z lokalnymi przepisami dotyczącymi miar i wag.
2. Przeprowadzić kalibrację, jak opisano w rozdziale 4.1.
3. Ustawić położenie wyłącznika bezpieczeństwa, jak przedstawiono w rozdziale 5.3.

### 5.2 Weryfikacja

Urzędnik ds. miar i wag musi przeprowadzić procedurę weryfikacyjną. Aby uzyskać więcej informacji, należy skontaktować się z lokalnym biurem wag i miar.

### 5.3 Plombowanie

Przełącznik LFT pod pokrywą plombującą służy do zabezpieczenia ustawień menu. Po naciśnięciu przełącznika ustawienia menu mogą być przeglądane, ale nie mogą być zmieniane. Osłona plombująca znajduje się w dolnej części wagi. Zdejmij pokrywę uszczelniającą za pomocą śrubokręta, a następnie naciśnij przełącznik po włączeniu wagi. Następnie na ekranie pojawi się napis „LFE .00”.



Pokrywa przełącznika LFT



Przełącznik LFT



Po sprawdzeniu wagi, musi ona zostać zaplombowana przez urzędnika ds. miar i wag, aby uniemożliwić niezauważony dostęp do prawnie kontrolowanych ustawień. Należy zapoznać się z poniższymi ilustracjami, aby uzyskać informacje na temat plombowania.



Plomba

## 6. KONSERWACJA

**Uwaga:** przed czyszczeniem należy wyłączyć wagę i odłączyć zasilacz sieciowy.

### 6.1 Czyszczenie



**OSTRZEŻENIE:** Zagrożenie porażeniem prądem elektrycznym. Przed czyszczeniem należy odłączyć urządzenie od źródła zasilania. Upewnić się, że ciecz nie dostanie się do wnętrza urządzenia.



**Uwaga:** Nie należy używać rozpuszczalników, silnych chemikaliów, amoniaku lub środków czyszczących o właściwościach ściernych.

Obudowę można czyścić ściereczką nasączoną łagodnym detergentem.

### 6.2 Rozwiązywanie problemów

Poniższa tabela przedstawia typowe problemy oraz możliwe przyczyny i środki zaradcze. Jeśli problem nie ustępuje, należy skontaktować się z firmą OHAUS lub autoryzowanym dealerem.

RYSunEK 5-1. ROZWIĄZYWANIE PROBLEMÓW

Objaw	Potencjalna przyczyna	Potencjalne rozwiązanie
Err E	Błąd kalibracji: niestabilne środowisko lub nieprawidłowy ciężar kalibracyjny.	Sprawdź środowisko i ciężary kalibracyjne, a następnie ponownie skalibrować.
Err 8.1	Wyświetlana waga po włączeniu przekracza wartość zero.	Oczyść szalkę.
Err 8.2	Wyświetlana waga po włączeniu jest poniżej wartości zero.	Sprawdź, czy nie brakuje szalki.
Err 8.3	Przeciążenie (waga przekracza pojemność znamionową)	Usuń ciężar z szalki.
Err 8.4	Niedociążenie (brak szalki)	Umieść szalkę ponownie.
Err 8.5	Wartość tary poza skalą	Wartość tary przekracza maksimum
Err 9.5	Błąd danych wewnętrznych lub błąd danych kalibracyjnych	Skontaktuj się z firmą OHAUS lub autoryzowanym dealerem w celu uzyskania pomocy.

Err 13	Błąd zapisu do EEPROM	Skontaktuj się z firmą OHAUS lub autoryzowanym dealerem w celu uzyskania pomocy.
Lo.bAt	Niski poziom baterii	Wymień baterie; Naładuj akumulator.
--n 1E--	Działanie niedozwolone	/
-----	Zajęty	/

### 6.3 Informacje serwisowe

Jeśli sekcja „Rozwiązywanie problemów” nie rozwiąże lub nie przedstawi Twojego problemu, skontaktuj się z autoryzowanym serwisem OHAUS. W celu uzyskania pomocy serwisowej lub wsparcia technicznego w Stanach Zjednoczonych zadzwoń pod bezpłatny numer 1-800-672-7722 wewn. 7852 w godzinach 8:00-17:00 EST. Specjalista ds. serwisu produktów OHAUS będzie dostępny w celu zapewnienia pomocy od poniedziałku do piątku. Poza Stanami Zjednoczonymi, Kanadą i Portoryko, prosimy odwiedzić naszą stronę internetową [www.ohaus.com](http://www.ohaus.com), aby zlokalizować najbliższe biuro OHAUS.

## 7. DANE TECHNICZNE

Klasyfikacja sprzętu:

Wyłącznie do użytku wewnątrz pomieszczeń

Wysokość: 2000m

Temperatura pracy: 0 do 40°C

Wilgotność: Maksymalna wilgotność względna 80% dla temperatur do 31 °C, zmniejszająca się liniowo do 50% wilgotności względnej przy 40 °C.

Zasilanie elektryczne: 12VDC, 0,5A. Do użytku z certyfikowanym lub zatwierdzonym zasilaczem, który musi posiadać obwód SELV i ograniczoną moc wyjściową obwodu energetycznego.

Wahania napięcia: Wahania napięcia zasilania sieciowego do  $\pm 10\%$  napięcia znamionowego.

Kategoria przepięciowa (kategoria instalacyjna): II

Stopień zanieczyszczenia: 2

## 7.1 Specyfikacja

RYSUNEK 6-1. Specyfikacja

Model*	V12P3	V12P6	V12P15	V12P30
Pojemność × czytelność (Maks. x d niezatwierdzony)	6 lb x 0.001 lb 3 kg x 0.0005 kg 3,000 g x 0.5 g 96 oz x 0.02 oz 6 lb x 0.02 oz	15 lb x 0.002 lb 6 kg x 0.001 kg 6,000 g x 1 g 240 oz x 0.5 oz 15 lb x 0.5 oz	30 lb x 0.005 lb 15 kg x 0.002 kg 15,000 g x 2 g 480 oz x 0.1 oz 30 lb x 0.1 oz	60 lb x 0.01 lb 30 kg x 0.005 kg 30,000 g x 5 g 960 oz x 0.2 oz 60 lb x 0.2 oz
Maksymalna rozdzielczość wyświetlania	1:6,000	1:6,000	1:7,500	1:6,000
Jednostki wagi	g, kg, lb, oz, lb:oz			
Tryb aplikacji	Ważenie			
Zakres tary	Do pojemności przez odjęcie			
Czas stabilizacji	≤2 sekundy			
Wymagania dotyczące mocy**	4 x bateria alkaliczna, zasilacz sieciowy lub bateria wielokrotnego ładowania			
Kalibracja	Cyfrowy z ciężarem zewnętrznym			
Przeciętna długość pracy na bateriach	1500 godzin z wyłączonym podświetleniem			
Konstrukcja	Obudowa z tworzywa sztucznego ABS, szalka ze stali nierdzewnej			
Bezpieczny poziom przeładowania	150% pojemności			
Określony zakres temperatur	32 do 104° F / 0 do 40 °C			
Rodzaj wyświetlacza	Pojedynczy wyświetlacz, LCD z białym podświetleniem			
Rozmiar wyświetlacza	1.0 in / 25.4mm			
Rozmiar szalki	9.65 x 7.48 in / 245 x 190 mm			
Wymiary wagi (dł. X szer. X wys.)	10.2 x 10.6 x 4.8 in / 260 x 270 x 122 mm			
Wymiary transportowe (dł. X szer. X wys.)	12.6 x 12.6 x 6.9 in / 319 x319 x175 mm			
Masa netto	5.5 lb / 2.5 kg			
Masa transportowa	6.8 lb / 3.1kg			

\* Niektóre regiony są dostępne z modelami V12PRx, które są standardowo wyposażone w zasilacz sieciowy i akumulator.

\*\* Dostępność zależy od regionu.

## RYSUNEK 6-2. Specyfikacja




Model	V12P2T	V12P5T	V12P10T	V12P20T
Pojemność × czytelność (Maks. x d niezatwierdzony)	5 lb x 0.0005 lb 2 kg x 0.0002 kg 2,000 g x 0.2 g 80 oz x 0.01 oz	10 lb x 0.001 lb 5 kg x 0.0005 kg 5,000 g x 0.5 g 160 oz x 0.02 oz	20 lb x 0.002 lb 10 kg x 0.001 kg 10,000 g x 1 g 320 oz x 0.05 oz	50 lb x 0.005 lb 20 kg x 0.002 kg 20,000 g x 2 g 800 oz x 0.1 oz
Maksymalna rozdzielczość wyświetlania	01:10,000	01:10,000	01:10,000	01:10,000
Pojemność zatwierdzona × czytelność (Maks. × e zatwierdzony)	5 lb x 0.002 lb 2 kg x 0.001 kg 2,000 g x 1 g 80 oz x 0.05 oz	10 lb x 0.005 lb 5 kg x 0.002 kg 5,000 g x 2 g 160 oz x 0.1 oz	20 lb x 0.01 lb 10 kg x 0.005 kg 10,000 g x 5 g 320 oz x 0.2 oz	50 lb x 0.02 lb 20 kg x 0.01 kg 20,000 g x 10 g 800 oz x 0.5 oz
Zatwierdzona rozdzielczość	1:2,000	1:2,500	1:2,000	1:2,000
Klasa	Klasa III NTEP / Pomiar Kanada			
Jednostki wagi	g, kg, lb, oz			
Tryb aplikacji	Ważenie			
Zakres tary	Do pojemności przez odjęcie			
Czas stabilizacji	≤2 sekund			
Wymagania dotyczące mocy	4 x bateria alkaliczna (nie dołączone) lub zasilacz sieciowy (dołączony)			
Kalibracja	Cyfrowy z ciężarem zewnętrznym			
Przeciętna długość pracy na bateriach	750 godzin			
Konstrukcja	Obudowa z tworzywa sztucznego ABS, szalka ze stali nierdzewnej, pokrywa użytkowa			
Bezpieczny poziom przeładowania	150% pojemności			
Łączność	Opcjonalnie RS232			
Określony zakres temperatur	32 do 104° F / 0 do 40 °C			
Rodzaj wyświetlacza	Wyświetlacz LCD (przód i tył wagi) z białym podświetleniem			
Rozmiar wyświetlacza	1.0 in / 25.4mm			
Rozmiar szalki	9.65 x 7.48 in / 245 x 190 mm			
Wymiary wagi (dł. X szer. X wys.)	10.2 x 10.6 x 4.8 in / 260 x 270 x 122 mm			
Wymiary transportowe (dł. X szer. X wys.)	12.6 x 12.6 x 6.9 in / 319 x319 x175 mm			
Masa netto	5.5 lb / 2.5 kg			
Masa transportowa	6.8 lb / 3.1kg			

## RYSUNEK 6-3. Specyfikacja

Model	V12P3T	V12P6T	V12P15T	V12P30T
Pojemność × czytelność (Maks. x d niezatwierdzony)	3 kg x 0.0002 kg 3,000 g x 0.2 g	6 kg x 0.0005 kg 6000 g x 0.5 g	15 kg x 0.001 kg 15000 g x 1 g	30 kg x 0.002 kg 30000 g x 2 g
Maksymalna rozdzielczość wyświetlania (d)	1:15,000	01:12,000	1:15,000	1:15,000
Model	V12P3T-M	V12P6T-M	V12P15T-M	V12P30T-M
Pojemność × czytelność (Maks. × e zatwierdzony)	3 kg x 0.001kg 3000 g x 1 g	6 kg x 0.002 kg 6000 g x 2 g	15 kg x 0.005 kg 15000 g x 5 g	30 kg x 0.01 kg 30000 g x 10 g
Zatwierdzona rozdzielczość	1:3,000	1:3,000	1:3,000	1:3,000
Jednostki wagi	g, kg			
Tryb aplikacji	Ważenie			
Zakres tary	Do pojemności przez odjęcie			
Czas stabilizacji	≤2 sekund			
Wymagania dotyczące mocy	4 x bateria alkaliczna (w zestawie), zasilacz sieciowy (opcjonalnie) lub bateria wielokrotnego ładowania (opcjonalnie)			
Kalibracja	Cyfrowy z ciężarem zewnętrznym			
Przeciętna długość pracy na bateriach	750 godzin			
Konstrukcja	Obudowa z tworzywa sztucznego ABS, szalka ze stali nierdzewnej			
Bezpieczny poziom przeładowania	150% pojemności			
Łączność	Opcjonalnie RS232			
Określony zakres temperatur	0 do 40 °C			
Rodzaj wyświetlacza	Wyświetlacz LCD (przód i tył wagi) z białym podświetleniem			
Rozmiar wyświetlacza	25,4mm			
Rozmiar szalki	245 x 190 mm			
Wymiary wagi (dł. X szer. X wys.)	260 x 270 x 122 mm			
Wymiary transportowe (dł. X szer. X wys.)	319 x319 x175 mm			
Masa netto	2.5 kg			
Masa transportowa	3.1 kg			

## 7.2 ZGODNOŚĆ

Zgodność z poniższymi normami jest oznaczona odpowiednim znakiem na produkcie.

Znak	Standard
	Produkt ten jest zgodny z obowiązującymi normami zharmonizowanymi dyrektywami UE 2011/65/UE (RoHS), 2014/30/UE (EMC), 2014/35/UE (LVD) i 2014/31/UE (NAWI). Deklaracja zgodności UE jest dostępna na stronie internetowej <a href="http://www.ohaus.com/ce">www.ohaus.com/ce</a> .
	Produkt ten jest zgodny z dyrektywą UE 2012/19/UE (WEEE) i 2006/66/WE (baterie). Produkt należy utylizować zgodnie z lokalnymi przepisami w punkcie zbiórki określonym dla sprzętu elektrycznego i elektronicznego. Instrukcje dotyczące utylizacji w Europie znajdują się na stronie <a href="http://www.ohaus.com/weee">www.ohaus.com/weee</a> .
	EN 61326-1

### Ważna informacja dla V12P....-M zweryfikowane wagi w UE

W przypadku stosowania przyrządu w handlu lub prawnie kontrolowanym zastosowaniu, przyrząd ten musi być ustawiony, zweryfikowany i zapieczętowany zgodnie z lokalnymi przepisami dotyczącymi miar i wag. Obowiązkiem nabywcy jest zapewnienie spełnienia wszystkich stosownych wymogów prawnych. Przyrządy do ważenia zweryfikowane w miejscu produkcji noszą następujące oznaczenia dodatkowe oznakowanie metrologiczne na tabliczce opisowej.

  1259

Przyrządy wagowe do weryfikacji w dwóch etapach nie posiadają dodatkowego oznaczenia metrologicznego na tabliczce opisowej. Drugi etap oceny zgodności musi być przeprowadzony przez odpowiednie organy ds. miar i wag. Jeżeli przepisy krajowe ograniczają okres ważności weryfikacji, użytkownik wagi musi ściśle przestrzegać okresu ponownej weryfikacji i poinformować władze odpowiedzialne za weryfikację wag i miar. Ponieważ wymagania dotyczące weryfikacji różnią się w zależności od jurysdykcji, nabywca powinien skontaktować się z lokalnym urzędem ds. wag i miar, jeśli nie jest zaznajomiony z wymaganiami.

### Oświadczenie o zgodności z przepisami obowiązującymi w Kanadzie ISED:

To urządzenie cyfrowe klasy B jest zgodne z kanadyjską normą ICES-003.

### Rejestracja ISO 9001

System zarządzania produkcją tego produktu posiada certyfikat ISO 9001.

## **OGRANICZONA GWARANCJA**

Produkty firmy Ohaus podlegają gwarancji dotyczącej defektów w materiałach i wad produkcyjnych od daty dostawy przez cały okres trwania gwarancji. Podczas okresu gwarancji, firma Ohaus będzie bezpłatnie naprawiać lub według własnego uznania, wymieniać podzespoły, które okażą się wadliwe pod warunkiem przesłania towaru na własny koszt do firmy Ohaus.

Gwarancja nie obejmuje sytuacji, gdy produkt został zniszczony z powodu wypadku lub niewłaściwego użytkowania, był wystawiony na działanie materiałów radioaktywnych lub żrących, lub gdy materiały obce dostały się do wnętrza urządzenia, albo gdy urządzenie było naprawiane lub modyfikowane przez osoby nieautoryzowane przez firmę Ohaus. Jeżeli karta rejestracyjna została poprawnie wypełniona i zwrócona do firmy Ohaus, okres gwarancji rozpoczyna swój bieg od czasu dostawy do autoryzowanego dealera. Firma Ohaus nie ponosi odpowiedzialności za jakiegokolwiek szkody następcze.

Ponieważ ustawodawstwo dotyczące gwarancji wyrobów jest różne w różnych stanach i krajach, prosimy o kontakt z firmą Ohaus lub lokalnym dostawcą w celu uzyskania szczegółowych informacji.











Ohaus Corporation  
7 Campus Drive  
Suite 310  
Parsippany, NJ 07054 USA  
Tel: +1 973 377 9000  
Fax: +1 973 944 7177

With offices worldwide / Con oficinas en todo el mundo / Avec des bureaux partout dans le monde / Mit Büros weltweit / Con uffici in tutto il mondo / Biura na świecie.

[www.ohaus.com](http://www.ohaus.com)



P/N 30565614A © 2019 Ohaus Corporation, all rights reserved / todos los derechos reservados / tous droits réservés / alle Rechte vorbehalten / tutti i diritti riservati / wszelkie prawa zastrzeżone